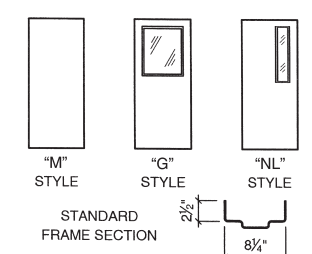
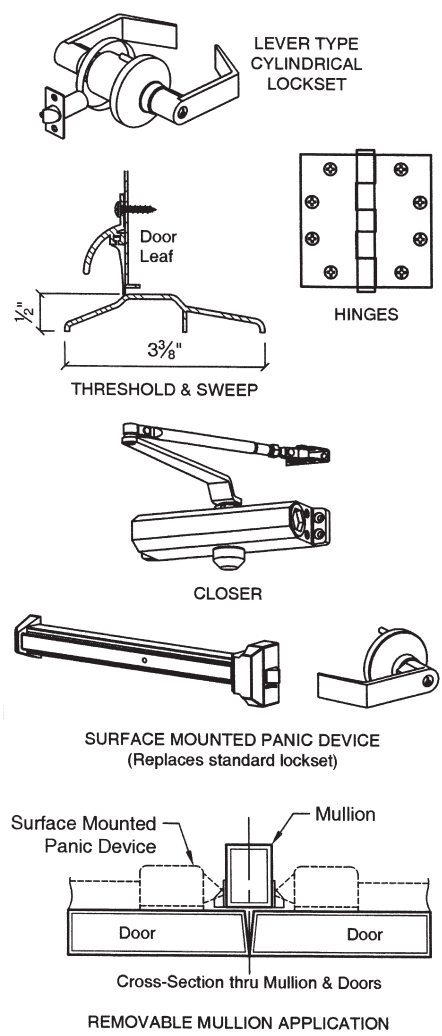
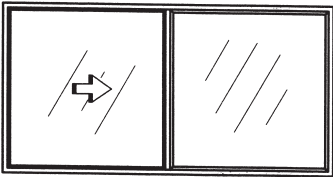




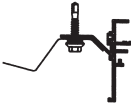

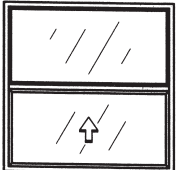
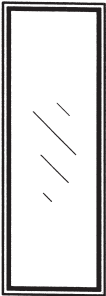


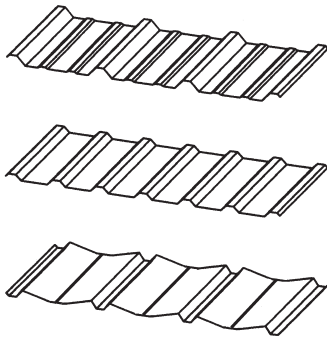
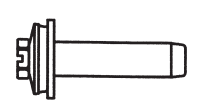
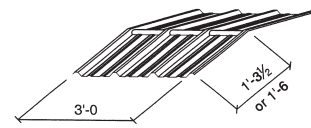
ACCESSORIES

	DESCRIPTION	PRICE PER UNIT																																																								
<p style="text-align: center;">PERSONNEL DOOR UNITS</p>  <p style="text-align: center;">* SBS standard door includes integral weather strip.</p>	<table border="1" style="width: 100%; border-collapse: collapse;"> <thead> <tr> <th style="text-align: left;">DOOR SIZE</th> <th style="text-align: left;">STYLE</th> <th style="text-align: left;">WT./UNIT</th> <th style="text-align: left;">WHITE FINISH</th> </tr> </thead> <tbody> <tr> <td>3070 (single leaf)</td> <td>"M"</td> <td>166#</td> <td>495.00</td> </tr> <tr> <td>3070 (single leaf)</td> <td>"G" or "NL"</td> <td>161#</td> <td>552.00</td> </tr> <tr> <td>4070 (single leaf)</td> <td>"M"</td> <td>190#</td> <td>604.55</td> </tr> <tr> <td>4070 (single leaf)</td> <td>"G" or "NL"</td> <td>185#</td> <td>673.40</td> </tr> <tr> <td>6070 (double leaf)</td> <td>"M"</td> <td>265#</td> <td>900.90</td> </tr> <tr> <td>6070 (double leaf)</td> <td>"G" or "NL"</td> <td>255#</td> <td>1014.90</td> </tr> </tbody> </table> <p>Single leaf door unit includes: leaf, frame with integral weather strip, assembly bolts, plain bearing hinges and threshold.</p> <p>Double leaf door unit includes: two surface bolts, handed astragal and lock hole filler plate in addition to the items listed for the single leaf unit. Glass and glazing is not included on "G" or "NL".</p> <p>All white door leaves are embossed.</p> <p>ADA regulations require lever lockset for public access buildings.</p> <p style="text-align: center;">* SBS standard door includes integral weather strip.</p>	DOOR SIZE	STYLE	WT./UNIT	WHITE FINISH	3070 (single leaf)	"M"	166#	495.00	3070 (single leaf)	"G" or "NL"	161#	552.00	4070 (single leaf)	"M"	190#	604.55	4070 (single leaf)	"G" or "NL"	185#	673.40	6070 (double leaf)	"M"	265#	900.90	6070 (double leaf)	"G" or "NL"	255#	1014.90																													
DOOR SIZE	STYLE	WT./UNIT	WHITE FINISH																																																							
3070 (single leaf)	"M"	166#	495.00																																																							
3070 (single leaf)	"G" or "NL"	161#	552.00																																																							
4070 (single leaf)	"M"	190#	604.55																																																							
4070 (single leaf)	"G" or "NL"	185#	673.40																																																							
6070 (double leaf)	"M"	265#	900.90																																																							
6070 (double leaf)	"G" or "NL"	255#	1014.90																																																							
<p style="text-align: center;">DOOR COMPONENTS</p>  <p style="text-align: center;">REMOVABLE MULLION APPLICATION</p>	<table border="1" style="width: 100%; border-collapse: collapse;"> <thead> <tr> <th style="text-align: left;">DESCRIPTION</th> <th style="text-align: left;">PRICE PER UNIT</th> </tr> </thead> <tbody> <tr> <td>3070 "M" Door Leaf only</td> <td>237.50</td> </tr> <tr> <td>3070 "G" or "NL" Door Leaf only</td> <td>294.50</td> </tr> <tr> <td>4070 "M" Door Leaf only</td> <td>323.00</td> </tr> <tr> <td>4070 "G" or "NL" Door Leaf only</td> <td>391.90</td> </tr> <tr> <td>3070 Frame, 8 1/4" Depth (includes assembly bolts)</td> <td>257.50</td> </tr> <tr> <td>4070 Frame, 8 1/4" Depth (includes assembly bolts)</td> <td>281.55</td> </tr> <tr> <td>6070 Frame, 8 1/4" Depth (includes assembly bolts)</td> <td>425.90</td> </tr> <tr> <td>Handed Astragal (specify leaf attaching to)</td> <td>43.75</td> </tr> <tr> <td>Lock Hole Filler Plate (used on inactive leaf)</td> <td>7.50</td> </tr> <tr> <td>Aluminum Threshold (ADA) 1/2" high. (includes anchors, screws, and sweep)</td> <td></td> </tr> <tr> <td>3'-0"</td> <td>26.25</td> </tr> <tr> <td>4'-0"</td> <td>36.15</td> </tr> <tr> <td>6'-0"</td> <td>52.50</td> </tr> <tr> <td>Surface Bolt, US26D (2 required per leaf)</td> <td>66.75</td> </tr> <tr> <td>Full Mortise Hinges, 4 1/2" x 4 1/2" Steel, US26D, Non-Removable Pins, (3/Box)</td> <td></td> </tr> <tr> <td>Plain Bearing</td> <td>34.05</td> </tr> <tr> <td>Ball Bearing</td> <td>51.40</td> </tr> <tr> <td>Thru-Mounted, Hydraulic, Size IV Door Closer</td> <td>136.25</td> </tr> <tr> <td>Standard Duty Cylindrical Lockset Knob, US32D</td> <td>81.25</td> </tr> <tr> <td>Heavy Duty Cylindrical Lockset Knob, US26D</td> <td>215.00</td> </tr> <tr> <td>Lever Type Cylindrical Lockset, US26D (ADA)</td> <td>136.25</td> </tr> <tr> <td>Mortise Lever Lockset, (function 86A), US26D (requires a specially prepared leaf) (ADA)</td> <td>337.50</td> </tr> <tr> <td>Keyed Alike Charge, per Lock</td> <td>15.00</td> </tr> <tr> <td>Surface Mounted Reversible Panic Device, US26D (has keyed lever for exterior entry) (ADA)</td> <td>442.50</td> </tr> <tr> <td>Removable Mullion (Must be used on double leaf door when using above panic device), gray only</td> <td>375.00</td> </tr> <tr> <td>Double Cylinder Dead Bolt, US32D, (lock only, door prep charges not included)</td> <td>75.00</td> </tr> <tr> <td>Dead Bolt Preparation Charges for Door Leaf and Frame (this hands leaf and frame)</td> <td>113.00</td> </tr> </tbody> </table>	DESCRIPTION	PRICE PER UNIT	3070 "M" Door Leaf only	237.50	3070 "G" or "NL" Door Leaf only	294.50	4070 "M" Door Leaf only	323.00	4070 "G" or "NL" Door Leaf only	391.90	3070 Frame, 8 1/4" Depth (includes assembly bolts)	257.50	4070 Frame, 8 1/4" Depth (includes assembly bolts)	281.55	6070 Frame, 8 1/4" Depth (includes assembly bolts)	425.90	Handed Astragal (specify leaf attaching to)	43.75	Lock Hole Filler Plate (used on inactive leaf)	7.50	Aluminum Threshold (ADA) 1/2" high. (includes anchors, screws, and sweep)		3'-0"	26.25	4'-0"	36.15	6'-0"	52.50	Surface Bolt, US26D (2 required per leaf)	66.75	Full Mortise Hinges, 4 1/2" x 4 1/2" Steel, US26D, Non-Removable Pins, (3/Box)		Plain Bearing	34.05	Ball Bearing	51.40	Thru-Mounted, Hydraulic, Size IV Door Closer	136.25	Standard Duty Cylindrical Lockset Knob, US32D	81.25	Heavy Duty Cylindrical Lockset Knob, US26D	215.00	Lever Type Cylindrical Lockset, US26D (ADA)	136.25	Mortise Lever Lockset, (function 86A), US26D (requires a specially prepared leaf) (ADA)	337.50	Keyed Alike Charge, per Lock	15.00	Surface Mounted Reversible Panic Device, US26D (has keyed lever for exterior entry) (ADA)	442.50	Removable Mullion (Must be used on double leaf door when using above panic device), gray only	375.00	Double Cylinder Dead Bolt, US32D, (lock only, door prep charges not included)	75.00	Dead Bolt Preparation Charges for Door Leaf and Frame (this hands leaf and frame)	113.00	
DESCRIPTION	PRICE PER UNIT																																																									
3070 "M" Door Leaf only	237.50																																																									
3070 "G" or "NL" Door Leaf only	294.50																																																									
4070 "M" Door Leaf only	323.00																																																									
4070 "G" or "NL" Door Leaf only	391.90																																																									
3070 Frame, 8 1/4" Depth (includes assembly bolts)	257.50																																																									
4070 Frame, 8 1/4" Depth (includes assembly bolts)	281.55																																																									
6070 Frame, 8 1/4" Depth (includes assembly bolts)	425.90																																																									
Handed Astragal (specify leaf attaching to)	43.75																																																									
Lock Hole Filler Plate (used on inactive leaf)	7.50																																																									
Aluminum Threshold (ADA) 1/2" high. (includes anchors, screws, and sweep)																																																										
3'-0"	26.25																																																									
4'-0"	36.15																																																									
6'-0"	52.50																																																									
Surface Bolt, US26D (2 required per leaf)	66.75																																																									
Full Mortise Hinges, 4 1/2" x 4 1/2" Steel, US26D, Non-Removable Pins, (3/Box)																																																										
Plain Bearing	34.05																																																									
Ball Bearing	51.40																																																									
Thru-Mounted, Hydraulic, Size IV Door Closer	136.25																																																									
Standard Duty Cylindrical Lockset Knob, US32D	81.25																																																									
Heavy Duty Cylindrical Lockset Knob, US26D	215.00																																																									
Lever Type Cylindrical Lockset, US26D (ADA)	136.25																																																									
Mortise Lever Lockset, (function 86A), US26D (requires a specially prepared leaf) (ADA)	337.50																																																									
Keyed Alike Charge, per Lock	15.00																																																									
Surface Mounted Reversible Panic Device, US26D (has keyed lever for exterior entry) (ADA)	442.50																																																									
Removable Mullion (Must be used on double leaf door when using above panic device), gray only	375.00																																																									
Double Cylinder Dead Bolt, US32D, (lock only, door prep charges not included)	75.00																																																									
Dead Bolt Preparation Charges for Door Leaf and Frame (this hands leaf and frame)	113.00																																																									

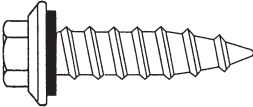
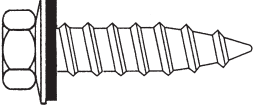
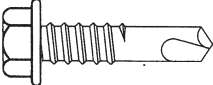
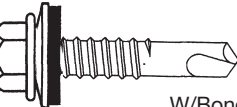
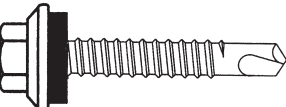
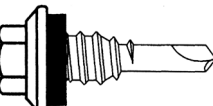
ACCESSORIES

	DESCRIPTION	PRICE EACH															
<p>HORIZONTAL SLIDE WINDOWS</p>  <div style="display: flex; justify-content: space-around; margin-top: 10px;">   </div> <div style="display: flex; justify-content: space-around; margin-top: 10px;">   </div> <div style="display: flex; justify-content: space-around; margin-top: 10px;">   </div>	<table style="width: 100%; border-collapse: collapse;"> <thead> <tr> <th style="width: 60%;">SIZE</th> <th style="width: 40%;">WT./EA.</th> </tr> </thead> <tbody> <tr> <td>3030 w/ half-screen</td> <td style="text-align: right;">24.0#</td> </tr> <tr> <td>4030 w/ half-screen</td> <td style="text-align: right;">31.8#</td> </tr> <tr> <td>6030 w/ half-screen</td> <td style="text-align: right;">43.8#</td> </tr> <tr> <td>6040 w/ half-screen</td> <td style="text-align: right;">57.8#</td> </tr> </tbody> </table> <p style="font-size: small; margin-top: 10px;">Specify PBR Panel, PBU Panel, A Panel, or Straight Fins. All windows have field installed fins to fit the specified panel. Width of window is indicated by the first two digits in the description and is measured center-to-center of the fins. Windows are self-framing and require no additional flashing or trim. Glass is clear DSB grade. LTL crating charge is \$50 per order.</p>	SIZE	WT./EA.	3030 w/ half-screen	24.0#	4030 w/ half-screen	31.8#	6030 w/ half-screen	43.8#	6040 w/ half-screen	57.8#	<table style="width: 100%; border-collapse: collapse;"> <thead> <tr> <th style="width: 100%;">MILL FINISH ALUMINUM FRAME/FINS</th> </tr> </thead> <tbody> <tr> <td style="text-align: right;">195.00</td> </tr> <tr> <td style="text-align: right;">220.00</td> </tr> <tr> <td style="text-align: right;">265.00</td> </tr> <tr> <td style="text-align: right;">362.50</td> </tr> </tbody> </table>	MILL FINISH ALUMINUM FRAME/FINS	195.00	220.00	265.00	362.50
	SIZE	WT./EA.															
	3030 w/ half-screen	24.0#															
	4030 w/ half-screen	31.8#															
	6030 w/ half-screen	43.8#															
6040 w/ half-screen	57.8#																
MILL FINISH ALUMINUM FRAME/FINS																	
195.00																	
220.00																	
265.00																	
362.50																	
<p>VERTICAL SLIDE WINDOWS</p> 	<table style="width: 100%; border-collapse: collapse;"> <thead> <tr> <th style="width: 60%;">SIZE</th> <th style="width: 40%;">WT./EA.</th> </tr> </thead> <tbody> <tr> <td>3030 w/ half-screen</td> <td style="text-align: right;">30.0#</td> </tr> <tr> <td>3040 w/ half-screen</td> <td style="text-align: right;">34.0#</td> </tr> <tr> <td>3050 w/ half-screen</td> <td style="text-align: right;">38.0#</td> </tr> </tbody> </table> <p style="font-size: small; margin-top: 10px;">Specify PBR Panel, PBU Panel, A Panel, or Straight Fins. All windows have field installed fins to fit the specified panel. Width of window is indicated by the first two digits in the description and is measured center-to-center of the fins. Windows are self-framing and require no additional flashing or trim. Glass is clear DSB grade. LTL crating charge is \$50 per order.</p>	SIZE	WT./EA.	3030 w/ half-screen	30.0#	3040 w/ half-screen	34.0#	3050 w/ half-screen	38.0#	<table style="width: 100%; border-collapse: collapse;"> <thead> <tr> <th style="width: 100%;">MILL FINISH ALUMINUM FRAMES/FINS</th> </tr> </thead> <tbody> <tr> <td style="text-align: right;">292.50</td> </tr> <tr> <td style="text-align: right;">337.50</td> </tr> <tr> <td style="text-align: right;">385.00</td> </tr> </tbody> </table>	MILL FINISH ALUMINUM FRAMES/FINS	292.50	337.50	385.00			
	SIZE	WT./EA.															
	3030 w/ half-screen	30.0#															
	3040 w/ half-screen	34.0#															
3050 w/ half-screen	38.0#																
MILL FINISH ALUMINUM FRAMES/FINS																	
292.50																	
337.50																	
385.00																	
<p>FIXED GLASS SLIMLINE WINDOWS</p> 	<table style="width: 100%; border-collapse: collapse;"> <thead> <tr> <th style="width: 60%;">SIZE</th> <th style="width: 40%;">WT./EA.</th> </tr> </thead> <tbody> <tr> <td>1070</td> <td style="text-align: right;">40.0#</td> </tr> <tr> <td>2060</td> <td style="text-align: right;">50.0#</td> </tr> <tr> <td>2070</td> <td style="text-align: right;">52.0#</td> </tr> </tbody> </table> <p style="font-size: small; margin-top: 10px;">Specify PBR Panel, PBU Panel, A Panel, or Straight Fins. All windows have field installed fins to fit the specified panel. Width of window is indicated by the first two digits in the description and is measured center-to-center of the fins. Windows are self-framing and require no additional flashing or trim. Glass is 1/8" Gray Tinted Tempered. LTL crating charge is \$50 per order.</p>	SIZE	WT./EA.	1070	40.0#	2060	50.0#	2070	52.0#	<table style="width: 100%; border-collapse: collapse;"> <thead> <tr> <th style="width: 100%;">BRONZE PAINTED ALUMINUM FRAMES/FINS</th> </tr> </thead> <tbody> <tr> <td style="text-align: right;">370.00</td> </tr> <tr> <td style="text-align: right;">402.50</td> </tr> <tr> <td style="text-align: right;">415.00</td> </tr> </tbody> </table>	BRONZE PAINTED ALUMINUM FRAMES/FINS	370.00	402.50	415.00			
	SIZE	WT./EA.															
	1070	40.0#															
	2060	50.0#															
2070	52.0#																
BRONZE PAINTED ALUMINUM FRAMES/FINS																	
370.00																	
402.50																	
415.00																	

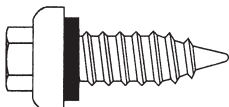
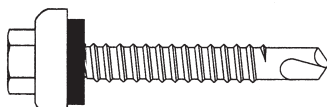
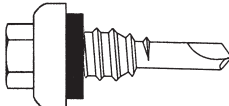
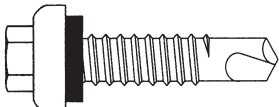
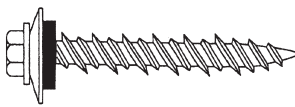
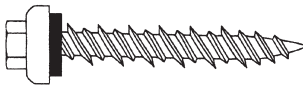
ACCESSORIES

	TYPE	COLOR	LENGTH	WT./EA	PRICE EACH		
	<p>LIGHT TRANSMITTING PANELS</p>  <p><small>WARNING: These light transmitting panels are not designed or intended to bear the weight of any person walking, stepping, standing or resting on them. Schulte Building Systems DISCLAIMS ANY WARRANTY OR REPRESENTATION, EXPRESSED OR IMPLIED, that any person can safely walk, step, stand or rest on or near these light transmitting panels or that they comply with any OSHA regulation.</small></p>						
	R	White	10'-8"	17.5#	116.55		
	R	White	12'-0"	19.0#	131.10		
	U	White	10'-8"	17.5#	116.55		
	A	White	11'-0"	18.1#	106.30		
	All panels are translucent white fiberglass with woven fiberglass mat, weighing a nominal 8 oz. per sq. ft., approx. 46 % light transmission. Motor Freight Crating \$6.00 per foot. Maximum 100 per bundle.						
	DESCRIPTION		WT./1000	PRICE PER 1000			
<p>STAINLESS GROMMETS</p>  <p><small>For stitching light transmitting panels together.</small></p>	#6-32 x 1" hole slotted hex head 305 stainless steel machine screw preassembled to 1/2" O.D. washer and neoprene grommet with "molded-in" nut. White only.		4.9#	1110.00			
	TYPE	GAUGE	LENGTH	WT./EA.	PRICE PER EACH		
					GALVALUME	SMP	KYNAR
<p>DIE-FORMED RIDGE CAP</p>  <p><small>(Specify roof slope here)</small></p>	R	26	2'-6"	7.0#	12.25	15.10	16.60
	U	26	2'-6"	7.0#	12.25	15.10	16.60
	R	26	3'-0"	8.1#	13.95	17.40	19.25
	U	26	3'-0"	8.1#	13.95	17.40	19.25

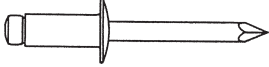

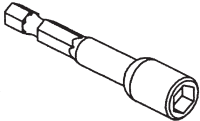
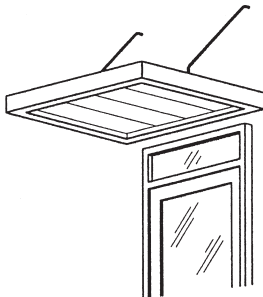
ACCESSORIES

<p style="text-align: center;">SELF-TAPPING CARBON STEEL FASTENERS</p>  <p style="text-align: center;">Holes must be pre-drilled through all metal when using this type of fastener</p>	SIZE	LENGTH	TYPE	HEAD AF	WT./M	PRICE PER 1000		
							PLAIN	PAINTED
	#14	¾"	A	5/16"	13.2#	81.00	95.25	
#14	1"	A	5/16"	17.0#	94.90	109.15		
#14	1-½"	A	5/16"	21.0#	110.80	125.05		
#17	1"	AB	5/16"	16.0#	158.25	172.50		
Note: Fasteners sold in quantities of 250 only.								
<p style="text-align: center;">304 STAINLESS STEEL SELF-TAPPING FASTENERS</p>  <p style="text-align: center;">Holes must be pre-drilled through all metal when using this fastener. CAUTION: The threads on 304 SS fasteners are softer than carbon steel and will strip out if over-torqued or forced into too small a hole.</p>	SIZE	LENGTH	TYPE	HEAD AF	WT./M	PRICE PER 1000		
							PLAIN	PAINTED
	#14	¾"	A	3/8"	14.7#	244.75	259.00	
#14	1"	A	3/8"	17.0#	281.85	296.10		
#14	1½"	A	3/8"	21.4#	360.90	375.20		
#17	1"	AB	3/8"	21.0#	373.90	388.15		
Note: Fasteners sold in quantities of 250 only.								
<p style="text-align: center;">MINI-WAREHOUSE SELF-DRILLING CARBON STEEL FASTENERS</p>  <p style="text-align: center;">No washer</p>	SIZE	LENGTH	TYPE	HEAD AF	WT./M	PRICE PER 1000		
							PLAIN	PAINTED
	#12	7/8"	DRILLER	5/16"	8.7#	74.55	88.80	
Note: Fasteners sold in quantities of 250 only.								
<p style="text-align: center;">MINI-WAREHOUSE SELF-DRILLING CARBON STEEL FASTENERS</p>  <p style="text-align: center;">W/Bonded Washer</p>	SIZE	LENGTH	TYPE	HEAD AF	WT./M	PRICE PER 1000		
							PLAIN	PAINTED
	#12	7/8"	DRILLER	5/16"	11.7#	92.15	106.40	
Note: Fasteners sold in quantities of 250 only.								
<p style="text-align: center;">SELF-DRILLING CARBON STEEL FASTENERS</p>  <p style="text-align: center;">For attaching sheet to Ceas and Zees.</p>	SIZE	LENGTH	TYPE	HEAD AF	WT./M	PRICE PER 1000		
							PLAIN	PAINTED
	#12	1-¼"	DRILLER	5/16"	16.2#	84.45	99.70	
#12	1-½"	DRILLER	5/16"	17.1#	108.30	122.55		
#12	2"	DRILLER	5/16"	20.0#	172.60	186.85		
Note: Fasteners sold in quantities of 250 only.								
<p style="text-align: center;">SELF-DRILLING CARBON STEEL FASTENERS</p>  <p style="text-align: center;">For attaching sheet to sheet.</p>	SIZE	LENGTH	TYPE	HEAD AF	WT./M	PRICE PER 1000		
							PLAIN	PAINTED
	#14	7/8"	LAPTEK	5/16"	12.6#	87.60	101.85	
Note: Fasteners sold in quantities of 250 only.								


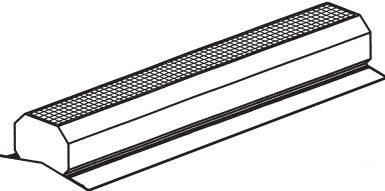
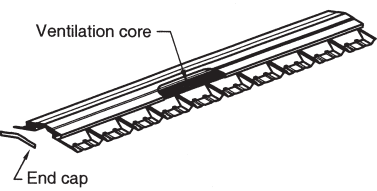
ACCESSORIES

LONG-LIFE SELF-TAPPING FASTENERS	SIZE	LENGTH	TYPE	HEAD AF	WT./M	PRICE PER 1000		
							PLAIN	PAINTED
 Holes must be pre-drilled through all metal when using this type of fastener.	#14	1"	AB	5/16"	17.9#	232.70	246.20	
	#17	1"	AB	5/16"	18.0#	270.20	283.70	
	Note: Fasteners sold in quantities of 250 only.							
LONG-LIFE SELF-DRILLING FASTENERS	SIZE	LENGTH	TYPE	HEAD AF	WT./M	PRICE PER 1000		
 For attaching sheet to Cees and Zees.							PLAIN	PAINTED
	#12	1-1/4"	DRILLER	5/16"	18.1#	177.50	190.95	
	#12	1-1/2"	DRILLER	5/16"	19.2#	217.25	230.75	
	#12	2"	DRILLER	5/16"	20.7#	279.60	293.10	
Note: Fasteners sold in quantities of 250 only.								
LONG-LIFE SELF-DRILLING FASTENERS	SIZE	LENGTH	TYPE	HEAD AF	WT./M	PRICE PER 1000		
 For attaching sheet to sheet.							PLAIN	PAINTED
	#14	7/8"	LAPTEK	5/16"	17.2#	179.50	193.00	
Note: Fasteners sold in quantities of 250 only.								
LONG-LIFE SELF-DRILLING FASTENERS	SIZE	LENGTH	TYPE	HEAD AF	WT./M	PRICE PER 1000		
 For attaching sheet to Cees and Zees.							PLAIN	PAINTED
	#14	1-1/4"	DRILLER	5/16"	19.2#	243.10	256.60	
Note: Fasteners sold in quantities of 250 only.								
METAL TO WOOD FASTENERS	SIZE	LENGTH	TYPE	HEAD AF	WT./M	PRICE PER 1000		
 For attaching steel sheeting to a wood frame or wood decking							PLAIN	PAINTED
	#10	1"	WOODGRIP	1/4"	8.2#	45.40	59.65	
	#10	1-1/2"	WOODGRIP	1/4"	10.5#	56.55	70.80	
	#10	2"	WOODGRIP	1/4"	12.3#	66.00	80.25	
Note: Fasteners sold in quantities of 250 only.								
LONG-LIFE METAL TO WOOD FASTENERS	SIZE	LENGTH	TYPE	HEAD AF	WT./M	PRICE PER 1000		
 For attaching steel sheeting to a wood frame or wood decking							PLAIN	PAINTED
	#10	1"	WOODGRIP	5/16"	9.5#	171.85	185.35	
	#10	1-1/2"	WOODGRIP	5/16"	11.5#	186.15	199.65	
	#10	2"	WOODGRIP	5/16"	14.0#	256.25	269.75	
Note: Fasteners sold in quantities of 250 only.								


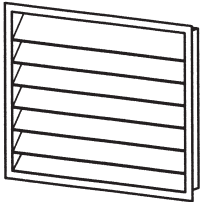

ACCESSORIES

STAINLESS STEEL POP RIVETS 	SIZE	GRIP RANGE	WT./M.	PRICE PER 1000	
				PLAIN	PAINTED
	1/8" Diameter	.126" - .187"	2.8#	96.30	103.20
<p>Body and mandrel are stainless steel. Note: Fasteners sold in quantities of 250 only.</p>					
DRILL BITS 	SIZE	DIA.	USED FOR		PRICE EACH
	#30	(.1285")	Pop rivets, pilot holes for #14 stitch		1.70
	#8	(.199")	#14 members/stitch		3.15
	7/32"	(.219")	#14 stainless steel members/stitch		3.50
	#1	(.228")	#14 into heavy structural		3.35
MAGNETIC SOCKET (HEX DRIVE) 	SIZE	USED FOR			PRICE EACH
	3/8"	#14 driller or tapper			8.25
	5/16"	#12 driller			6.60
	1/4"	#10 wood fastener			5.80
PERSONNEL DOOR CANOPY KIT  <p style="font-size: small; margin-top: 10px;">Canopy extends 4' from building wall and includes support system for easy installation in existing buildings.</p>	WIDTH	FINISH	GAUGE	WT./EA.	PRICE EACH
	4'-6	White	26	100#	778.15
	4'-6	Color	26	100#	845.15
	7'-6	White	26	165#	1377.60
	7'-6	Color	26	165#	1426.60
<p style="font-size: x-small;">Price includes wood crating and all necessary hardware for installation.</p>					

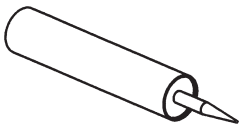



ACCESSORIES

	DESCRIPTION	WT./EA.	PRICE EACH		
			GALVALUME®	WHITE	
CIRCULAR GRAVITY VENTILATORS 	20" Diameter Throat, 26 GA, w/ damper	70.0#	324.25	330.75	
	24" Diameter Throat, 26 GA, w/ damper	70.0#	477.70	487.25	
<p>All ventilators have bird screen and damper.</p> <p>Pricing shown is for ventilators mounted into a matching finish PBR panel 3'-0" ridge cap. Stocked in 1:12 slope only.</p> <p>For ventilators mounted into a PBU panel 3'-0" ridge cap or any other roof slope on a PBR panel 3'-0" ridge cap (up to 6:12), please inquire.</p> <p>For ventilators mounted into a flat skirt, no extra charge.</p> <p>For ventilators to be slope-mounted into a 6'-0" long PBR panel, add \$25.00 per vent.</p> <p>For standard color ventilators other than Polar White, please inquire.</p> <p>For hardware required for adjustable ventilators, see page CIP-21.</p> <p>For chain operated ventilators, please inquire.</p>					
	DESCRIPTION	WT./EA.	PRICE EACH		
			GALVALUME®	WHITE	
CONTINUOUS THROAT GRAVITY RIDGE VENTILATORS 	9" Throat x 10' Long, 26 GA, w/ damper	207.0#	526.70	568.50	
	12" Throat x 10' Long, 26 GA, w/ damper	223.0#	656.40	706.85	
<p>All ventilators have bird screen and damper.</p> <p>Pricing shown is for ventilators with flat skirts only. Included with each ventilator are splice plates, end skirts, and special rope sealant.</p> <p>All ventilators will conform to roof slopes up to 6:12.</p> <p>For standard color ventilators other than Polar White, please inquire.</p> <p>Die-formed skirts are for PBR panel available in 24 gauge GALVALUME® and Polar White only. Please inquire.</p> <p>For hardware required for adjustable ventilators, see page CIP-21.</p> <p>For chain operated ventilators, please inquire.</p>					
	DESCRIPTION	WT./EA.	PRICE EACH		
			GALVALUME® or WHITE		
RIDGELINE CORAVENT LO-PROFILE FLOATING RIDGE VENT 	7" Throat x 10' Long, 24 GA	65.0#	372.50		
	<p>Designed for minimal ventilation with lower profile appearance.</p> <p>For Coravent with flat skirts, no extra charge.</p> <p>Must specify roof slope (up to 12:12).</p> <p>For standard color Coravent other than Polar White, please inquire.</p> <p>Die-formed skirts are for PBR panel available in 24 gauge GALVALUME® and Polar White only.</p> <p>End caps and splice kits are sold separately.</p>				
	End Cap (2 per run required.)			17.50	
	Optional Splice Kit (Splice cover and sealant)		23.75		

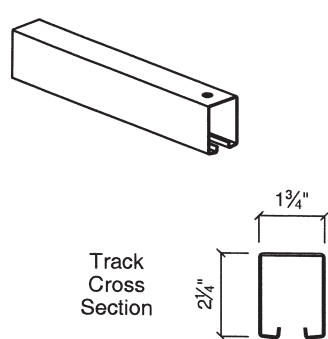
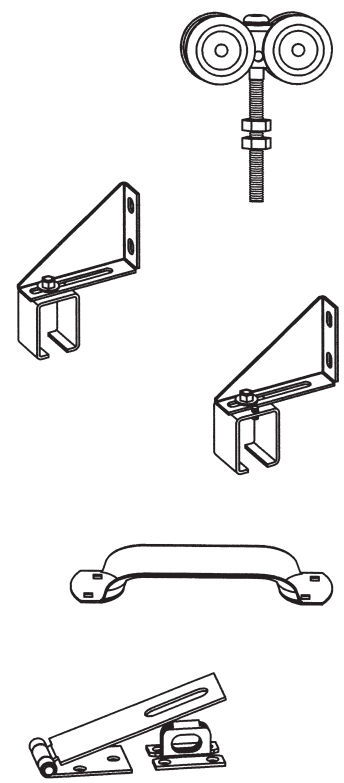
ACCESSORIES

	DESCRIPTION				PRICE EACH		
<p style="text-align: center;">VENTILATOR HARDWARE</p> 	Galvanized 3/16" Vent Cable Vent Pulley 1/4" x 2" Eye Bolt w/ Nuts Cable Clamps Operator Handle				.42 4.75 .45 .60 54.05		
<p style="text-align: center;">STEEL LOUVERS</p>  <p style="font-size: small; margin-top: 10px;">All louvers have 18 gauge frames, 20 gauge blades and choice of bird or insect screen.</p>	WIDTH	HEIGHT	TYPE	WT./EA.	PRICE EACH		
					GALVANIZED	COLORS	
	3'	x	3'	Fixed or Adjustable	54.0#	623.25	660.70
	3'	x	4'	Fixed or Adjustable	72.0#	633.25	670.70
	3'	x	5'	Fixed or Adjustable	90.0#	745.90	832.15
4'	x	4'	Fixed or Adjustable	96.0#	795.60	887.60	
Specify PBR panel, PBU panel, PBA panel, or Straight Fins. All louvers are fabricated with permanent fins to fit specified panel. Width of louver is measured center-to-center of fins. All louvers are self-framing and require no additional flashing or trim. If louver is to fit in an existing framed opening, this must be known. All adjustable louvers operate with a hand crank. For pull-chain operation, please inquire. All louvers are special order, require five working-day delivery and are not returnable. *Color louvers other than Polar White, Burnished Slate, Saddle Tan, and Light Stone require an additional 40 % charge.							
<p style="text-align: center;">TAPE SEAL</p> 	SIZE	CARTON QTY	ROLL WT./EA.		PRICE EACH		
	3/8" x 3/32" x 45'	40	1.5#		3.05		
	1" x 3/32" x 45'	20	3.3#		7.00		
Gray Butyl flat tape on waterproof release paper.							

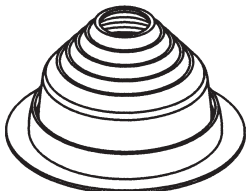
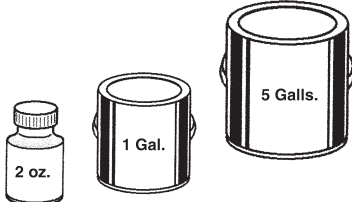

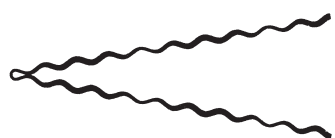
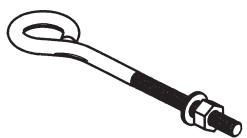

ACCESSORIES

	TYPE	COLOR	TUBE SIZE	CARTON QTY.	TUBE WT./EA.	PRICE EACH	
<p style="text-align: center;">TUBE CAULKING</p> <div style="text-align: center; margin: 20px 0;">  </div> <p>10.3 oz. cartridge</p>	Polyurethane	White	10.3 oz	30	1.2#	7.25	
	Polyurethane	Gray	10.3 oz	30	1.2#	7.25	
	Polyurethane	Bronze	10.3 oz	30	1.2#	7.25	
	Polyurethane	Almond	10.3 oz	30	1.2#	7.25	
	Silicone	Clear	10.3 oz	30	1.2#	8.75	
	DESCRIPTION					WT./100	PRICE EACH
<p style="text-align: center;">R PANEL CLOSURE STRIP</p> <p style="text-align: center; font-size: small;">EACH PIECE 3'-0"</p> <div style="margin-top: 10px;">  </div>	ThermX Gray Polypropylene						
	Inside					4.5#	.85
	Outside					8.0#	.85
	DESCRIPTION					WT./100	PRICE EACH
<p style="text-align: center;">U PANEL CLOSURE STRIP</p> <p style="text-align: center; font-size: small;">EACH PIECE 3'-0"</p> <div style="margin-top: 10px;">  </div>	ThermX Gray Polypropylene						
	Inside					4.0#	.85
	Outside					6.2#	.85
	DESCRIPTION					WT./100	PRICE EACH
<p style="text-align: center;">A PANEL CLOSURE STRIP</p> <p style="text-align: center; font-size: small;">EACH PIECE 3'-0"</p> <div style="margin-top: 10px;">  </div>	ThermX Gray Polypropylene						
	Inside					5.4#	.85
	Outside					5.6#	.85

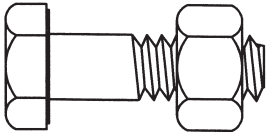
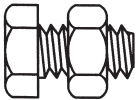
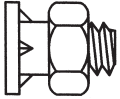
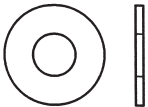

ACCESSORIES

	DESCRIPTION		PRICE EACH
	LENGTH	WT./EA.	
<p>NATIONAL SLIDING DOOR TRACK</p>  <p>Track Cross Section</p> <p>All track is 16 ga. Galvanized.</p>	Door Track x 8'-0	14.2#	40.50
	Door Track x 10'-0	16.5#	60.00
	Door Track x 12'-0	20.8#	73.20
	Door Track x 14'-0	23.6#	80.25
	Door Track x 16'-0	28.3#	96.25
	Door Track x 18'-0	31.9#	109.75
	Door Track x 20'-0	35.5#	120.00
	Maximum door weight should be 400 lbs.		
<p>NATIONAL SLIDING DOOR HARDWARE</p>  <p>All hardware is zinc-plated.</p>	ITEM	WT./EA.	PRICE EACH
	2 1/8" diameter Trolley Truck w/ 5/2" bolt. (max. door weight 400 lbs.)	1.2#	21.55
	Track Hanger Bracket. (use every 2' of track)	1.4#	16.90
	Track Hanger/Splice Bracket (has set screw)	1.5#	22.25
	#7 Extra Heavy Duty Door Pull.	.9#	9.40
	4 1/2" Hasp and Staple set.	.3#	5.25

ACCESSORIES

<p>RUBBER PIPE FLASHING • FLASHERS • BLACK EPDM</p> 	SIZE	PIPE SIZE	TEMP. RANGE	BASE	WT./EA.	PRICE EACH	
							EPDM
	#1	¼" - 2"	-65° to 250°	4-¾"	0.2#	13.95	
	#3	¼" - 5"	-65° to 250°	7-¾"	0.45#	19.80	
	#5	4-¼" - 7-½"	-65° to 250°	10-¾"	1.0#	33.60	
	#7	6" - 11"	-65° to 250°	14-¼"	2.0#	67.95	
#8	7" - 13"	-65° to 250°	16-½"	2.3#	99.00		
<p>TOUCH-UP PAINT</p> 	DESCRIPTION					PRICE EACH	
	Red Oxide Primer Water Based - Gallon can					31.50	
	Red Oxide Primer Water based - 5 Gallon pail					149.40	
	Valspar Matching Color, Panel Touch Up Paint 2 oz. Bottle					16.25	
	Silicone Polyester Kynar					26.25	
<p>GALVANIZED EHS STRAND</p> 	SIZE	MIN. BREAKING STRENGTH		WT./FT.	PRICE PER FOOT		
	¼"	6,650 lbs.		.1 #	.48		
	5/16"	11,200 lbs.		.2#	.63		
	3/8"	15,400 lbs.		.3#	.83		
	½"	26,900 lbs.		.5#	1.53		
All strand conforms to the requirements of ASTM A475, EHS Grade.							
<p>GALVANIZED EHS BRACE GRIPS</p> 	CABLE SIZE	MIN. BREAKING STRENGTH		WT./EA.	PRICE EACH		
	¼"	6,650 lbs.		.3#	2.95		
	5/16"	11,200 lbs.		.5#	3.90		
	3/8"	15,400 lbs.		.9#	4.90		
	½"	26,900 lbs.		2.0#	11.15		
<p>EYE BOLTS w/NUTS & FLAT WASHER</p> 	SIZE	TOTAL LENGTH	THREAD LENGTH	WT./EA.	PRICE EACH		
						ZINC-PLATED	
	½"Ø	8"	6"	.7#	3.30		
	5/8"Ø	8"	6"	1.5#	4.85		
	¾"Ø	8"	6"	2.0#	7.15		
	7/8"Ø	8"	6"	3.0#	10.35		
<p>HILLSIDE WASHERS</p> 	SIZE				WT./100	PRICE EACH	
							BLACK
	½"Ø	Eye Bolt Size			32.4#	1.45	
	5/8"Ø	Eye Bolt Size			40.0#	1.75	
	¾"Ø	Eye Bolt Size			55.7#	2.60	
7/8"Ø	Eye Bolt Size			82.3#	3.75		

ACCESSORIES

<p>A325 HIGH STRENGTH STRUCTURAL BOLTS WITH NUTS</p>  <p>All bolts have Heavy Hex Heads. All nuts are A194 Heavy Hex Nuts.</p>	DIAMETER	LENGTH	THREAD	TPI	WT./100	PRICE PER 100	
	ZINC-PLATED						
	1/2"	x	1 1/4"	1"	13	17.8#	49.40
	1/2"	x	1 1/2"	1"	13	19.2#	56.25
	5/8"	x	1 1/2"	1 1/4"	11	33.1#	93.65
	5/8"	x	1 3/4"	1 1/4"	11	35.3#	96.50
	5/8"	x	2"	1 1/4"	11	37.4#	97.40
	3/4"	x	1 3/4"	1 3/8"	10	55.3#	159.90
	3/4"	x	2"	1 3/8"	10	58.4#	164.40
	3/4"	x	2 1/4"	1 3/8"	10	61.6#	169.75
	3/4"	x	2 1/2"	1 3/8"	10	64.7#	171.25
	3/4"	x	2 3/4"	1 3/8"	10	67.8#	176.25
	1"	x	2 3/4"	1 3/4"	8	135.0#	379.65
	1"	x	3"	1 3/4"	8	141.0#	402.15
1"	x	3 1/4"	1 3/4"	8	146.0#	426.00	
<p>A307 LOW CARBON BOLTS w/ NUTS</p>  <p>MACHINE BOLT</p>  <p>FIN NECK BOLT</p> <p>(fin neck, flat head)</p>	DIAMETER	LENGTH	THREAD	TPI	WT./100	PRICE PER 100	
	ZINC-PLATED						
	1/2"	x	1"	1"	13	13#	28.25
	1/2"	x	1 1/4"	1 1/4"	13	14#	29.90
	1/2"	x	1"	7/8"	13	10#	44.75
1/2"	x	1 1/4"	1 1/8"	13	13#	55.00	
<p>USS FLAT WASHERS</p>  <p>(Not Hardened)</p>	BOLT DIAMETER		I.D.	O.D.	WT./100	PRICE PER 100	
	ZINC-PLATED						
	1/2"	x	9/16"	1 3/8"	3.9#	12.00	
	5/8"	x	1 1/16"	1 3/4"	7.7#	19.50	
	3/4"	x	1 3/16"	2"	11.0#	23.95	
1"	x	1 1/16"	2 1/2"	18.9#	44.65		
<p>A307 LOW CARBON HEX NUTS</p> 	BOLT DIAMETER	THICKNESS	TPI	WT./100	PRICE PER 100		
	ZINC-PLATED						
	1/2"	x	5/16"	13	3.8#	9.65	
	5/8"	x	3/8"	11	7.3#	23.00	
	3/4"	x	27/64"	10	11.9#	33.65	
1"	x	35/64"	8	28.3#	105.65		