



HOUSTON PLANT
 17600 Badtke Road
 P.O. Box 609
 Hockley, TX 77447-0609
 1.866.749.2667 Toll Free
 281.213.6100 Tel.
 281.213.6101 Fax

BIRMINGHAM PLANT
 3387 Davey Allison Blvd.
 P.O. Box 3160
 Hueytown, AL 35023
 1.877.887.4247 Toll Free
 205.744.1561 Tel.
 205.744.1562 Fax

TABLE OF CONTENTS

AGRI / RESIDENTIAL PRICING

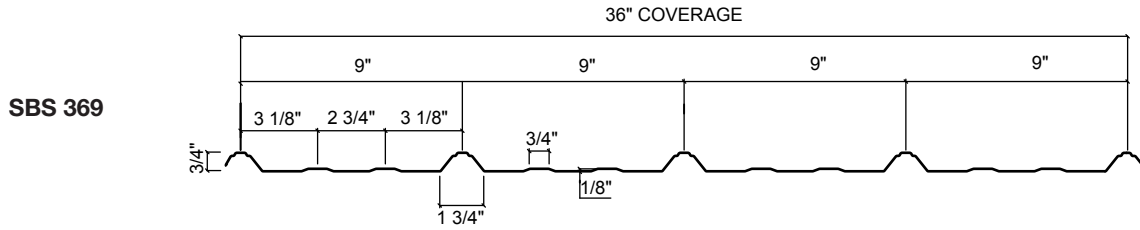
- I. PANELS**
 - 1. PANEL SQUARE FOOTAGE CHART.....AR-2
 - 2. SBS 369AR-3

- II. ACCESSORIES**
 - 1. RUBBER PIPE FLASHING.....AR-4
 - 2. TOUCH-UP PAINTAR-4
 - 3. LIGHT TRANSMITTING PANEL.....AR-4
 - 4. CLOSURE STRIPSAR-4
 - 5. TAPE SEAL.....AR-4
 - 6. TUBE CAULKINGAR-4
 - 7. VENTILATORS.....AR-5
 - 8. VENTILATOR HARDWARE.....AR-5
 - 9. FASTENERSAR-6 – AR-7
 - 10. SLIDE DOOR TRACKAR-8
 - 11. SLIDE DOOR HARDWARE.....AR-8

- III. TRIM COLORS / FLAT SHEETS**
 - 1. TRIM COLOR & GAUGE AVAILABILITY CHART.....AR-9
 - 2. FLAT SHEETSAR-10

- IV. TRIM.....AR-11 – AR-20**

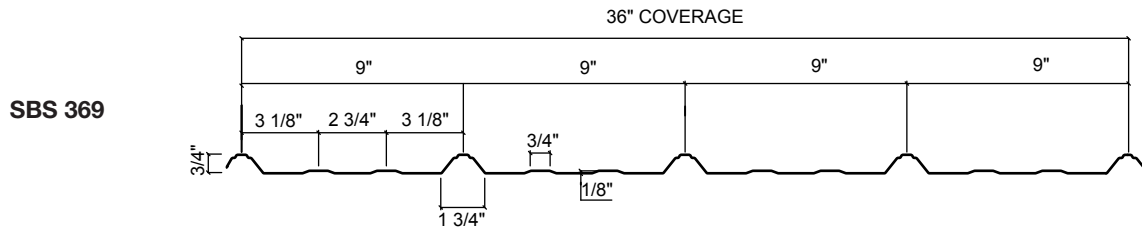
PANEL SQUARE FOOTAGE CHART



NUMBER OF SQUARE FEET PER PANEL - BASED ON 38 1/4" WIDE PANEL COVERING 36"

| | 0" | 1" | 2" | 3" | 4" | 5" | 6" | 7" | 8" | 9" | 10" | 11" |
|-----|--------|--------|--------|--------|--------|--------|--------|--------|--------|--------|--------|--------|
| 1' | 3.17 | 3.43 | 3.69 | 3.96 | 4.22 | 4.49 | 4.75 | 5.01 | 5.28 | 5.54 | 5.81 | 6.07 |
| 2' | 6.33 | 6.60 | 6.86 | 7.12 | 7.39 | 7.65 | 7.92 | 8.18 | 8.44 | 8.71 | 8.97 | 9.24 |
| 3' | 9.50 | 9.76 | 10.03 | 10.29 | 10.56 | 10.82 | 11.08 | 11.35 | 11.61 | 11.87 | 12.14 | 12.40 |
| 4' | 12.67 | 12.93 | 13.19 | 13.46 | 13.72 | 13.99 | 14.25 | 14.51 | 14.78 | 15.04 | 15.31 | 15.57 |
| 5' | 15.83 | 16.10 | 16.36 | 16.62 | 16.89 | 17.15 | 17.42 | 17.68 | 17.94 | 18.21 | 18.47 | 18.74 |
| 6' | 19.00 | 19.26 | 19.53 | 19.79 | 20.06 | 20.32 | 20.58 | 20.85 | 21.11 | 21.37 | 21.64 | 21.90 |
| 7' | 22.17 | 22.43 | 22.69 | 22.96 | 23.22 | 23.49 | 23.75 | 24.01 | 24.28 | 24.54 | 24.81 | 25.07 |
| 8' | 25.33 | 25.60 | 25.86 | 26.12 | 26.39 | 26.65 | 26.92 | 27.18 | 27.44 | 27.71 | 27.97 | 28.24 |
| 9' | 28.50 | 28.76 | 29.03 | 29.29 | 29.56 | 29.82 | 30.08 | 30.35 | 30.61 | 30.87 | 31.14 | 31.40 |
| 10' | 31.67 | 31.93 | 32.19 | 32.46 | 32.72 | 32.99 | 33.25 | 33.51 | 33.78 | 34.04 | 34.31 | 34.57 |
| 11' | 34.83 | 35.10 | 35.36 | 35.62 | 35.89 | 36.15 | 36.42 | 36.68 | 36.94 | 37.21 | 37.47 | 37.74 |
| 12' | 38.00 | 38.26 | 38.53 | 38.79 | 39.06 | 39.32 | 39.58 | 39.85 | 40.11 | 40.37 | 40.64 | 40.90 |
| 13' | 41.17 | 41.43 | 41.69 | 41.96 | 42.22 | 42.49 | 42.75 | 43.01 | 43.28 | 43.54 | 43.81 | 44.07 |
| 14' | 44.33 | 44.60 | 44.86 | 45.12 | 45.39 | 45.65 | 45.92 | 46.18 | 46.44 | 46.71 | 46.97 | 47.24 |
| 15' | 47.50 | 47.76 | 48.03 | 48.29 | 48.56 | 48.82 | 49.08 | 49.35 | 49.61 | 49.87 | 50.14 | 50.40 |
| 16' | 50.67 | 50.93 | 51.19 | 51.46 | 51.72 | 51.99 | 52.25 | 52.51 | 52.78 | 53.04 | 53.31 | 53.57 |
| 17' | 53.83 | 54.10 | 54.36 | 54.62 | 54.89 | 55.15 | 55.42 | 55.68 | 55.94 | 56.21 | 56.47 | 56.74 |
| 18' | 57.00 | 57.26 | 57.53 | 57.79 | 58.06 | 58.32 | 58.58 | 58.85 | 59.11 | 59.37 | 59.64 | 59.90 |
| 19' | 60.17 | 60.43 | 60.69 | 60.96 | 61.22 | 61.49 | 61.75 | 62.01 | 62.28 | 62.54 | 62.81 | 63.07 |
| 20' | 63.33 | 63.60 | 63.86 | 64.12 | 64.39 | 64.65 | 64.92 | 65.18 | 65.44 | 65.71 | 65.97 | 66.24 |
| 21' | 66.50 | 66.76 | 67.03 | 67.29 | 67.56 | 67.82 | 68.08 | 68.35 | 68.61 | 68.87 | 69.14 | 69.40 |
| 22' | 69.67 | 69.93 | 70.19 | 70.46 | 70.72 | 70.99 | 71.25 | 71.51 | 71.78 | 72.04 | 72.31 | 72.57 |
| 23' | 72.83 | 73.10 | 73.36 | 73.62 | 73.89 | 74.15 | 74.42 | 74.68 | 74.94 | 75.21 | 75.47 | 75.74 |
| 24' | 76.00 | 76.26 | 76.53 | 76.79 | 77.06 | 77.32 | 77.58 | 77.85 | 78.11 | 78.37 | 78.64 | 78.90 |
| 25' | 79.17 | 79.43 | 79.69 | 79.96 | 80.22 | 80.49 | 80.75 | 81.01 | 81.28 | 81.54 | 81.81 | 82.07 |
| 26' | 82.33 | 82.60 | 82.86 | 83.12 | 83.39 | 83.65 | 83.92 | 84.18 | 84.44 | 84.71 | 84.97 | 85.24 |
| 27' | 85.50 | 85.76 | 86.03 | 86.29 | 86.56 | 86.82 | 87.08 | 87.35 | 87.61 | 87.87 | 88.14 | 88.40 |
| 28' | 88.67 | 88.93 | 89.19 | 89.46 | 89.72 | 89.99 | 90.25 | 90.51 | 90.78 | 91.04 | 91.31 | 91.57 |
| 29' | 91.83 | 92.10 | 92.36 | 92.62 | 92.89 | 93.15 | 93.42 | 93.68 | 93.94 | 94.21 | 94.47 | 94.74 |
| 30' | 95.00 | 95.26 | 95.53 | 95.79 | 96.06 | 96.32 | 96.58 | 96.85 | 97.11 | 97.37 | 97.64 | 97.90 |
| 31' | 98.17 | 98.43 | 98.69 | 98.96 | 99.22 | 99.49 | 99.75 | 100.01 | 100.28 | 100.54 | 100.81 | 101.07 |
| 32' | 101.33 | 101.60 | 101.86 | 102.12 | 102.39 | 102.65 | 102.92 | 103.18 | 103.44 | 103.71 | 103.97 | 104.24 |
| 33' | 104.50 | 104.76 | 105.03 | 105.29 | 105.56 | 105.82 | 106.08 | 106.35 | 106.61 | 106.87 | 107.14 | 107.40 |
| 34' | 107.67 | 107.93 | 108.19 | 108.46 | 108.72 | 108.99 | 109.25 | 109.51 | 109.78 | 110.04 | 110.31 | 110.57 |
| 35' | 110.83 | 111.10 | 111.36 | 111.62 | 111.89 | 112.15 | 112.42 | 112.68 | 112.94 | 113.21 | 113.47 | 113.74 |
| 36' | 114.00 | 114.26 | 114.53 | 114.79 | 115.06 | 115.32 | 115.58 | 115.85 | 116.11 | 116.37 | 116.64 | 116.90 |
| 37' | 117.17 | 117.43 | 117.69 | 117.96 | 118.22 | 118.49 | 118.75 | 119.01 | 119.28 | 119.54 | 119.81 | 120.07 |
| 38' | 120.33 | 120.60 | 120.86 | 121.12 | 121.39 | 121.65 | 121.92 | 122.18 | 122.44 | 122.71 | 122.97 | 123.24 |
| 39' | 123.50 | 123.76 | 124.03 | 124.29 | 124.56 | 124.82 | 125.08 | 125.35 | 125.61 | 125.87 | 126.14 | 126.40 |
| 40' | 126.67 | 126.93 | 127.19 | 127.46 | 127.72 | 127.99 | 128.25 | 128.51 | 128.78 | 129.04 | 129.31 | 129.57 |

PANEL PROFILE SELECTIONS



| PRICE PER SQUARE | | | | | | | | |
|---------------------|------------|-------|-------------------|---------------------|--|----------|-----------|----------|
| FINISH | BASE METAL | GAUGE | WEIGHT PER SQUARE | QUANTITY IN SQUARES | | | | |
| | | | | | | 0 - 50 | >50 - 100 | 100+ |
| Clear Acrylic | GALVALUME® | 29 | 65 | | | \$156.00 | \$149.00 | \$146.00 |
| SMP LIMITED Colors | GALVALUME® | 29 | 65 | | | \$199.00 | \$191.00 | \$187.00 |
| Clear Acrylic | GALVALUME® | 26 | 95 | | | \$179.00 | \$168.00 | \$165.00 |
| SMP Standard Colors | GALVALUME® | 26 | 95 | | | \$237.00 | \$223.00 | \$219.00 |

Clear Acrylic Coated Galvalume® coating is subject to variances in spangle from coil to coil which may result in noticeable shade variation in installed panels. Clear Acrylic Coated Galvalume® coating is also subject to differential weathering after panel installation. Panels may appear to be different shades due to this weathering characteristic. If a consistent appearance is required, SBS recommends that pre-painted panels be used in lieu of Clear Acrylic Coated Galvalume®. Shade variation in panels manufactured from Clear Acrylic Coated Galvalume® coated material do not diminish the structural integrity of the product. These shade variations should be anticipated and are not a cause for rejection.

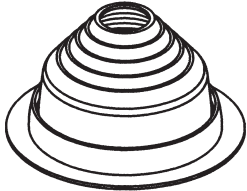

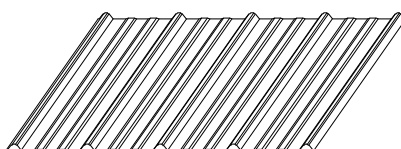


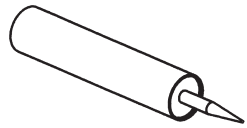
PANEL PRICING NOTES:

1. GALVALUME® base metal is in conformance with ASTM A792 Grade 80, Coating Class AZ55 if bare, Coating Class AZ50 if painted.
2. Cutting charge for panels less than 4'-0" in length is \$1.00 per panel.
3. Panel pricing is based on a 38" panel width.
4. Yield strength is 80,000 PSI on 29 and 26 gauge panels.
5. Length tolerance is plus or minus 1/4" of ordered length on all profiles.
6. Clear acrylic-coated GALVALUME® is GALVALUME® coated with a thin acrylic film intended to increase its resistance to fingerprinting and handling marks and eliminate the use of oil in the forming process. It is not a warranted film and may discolor while weathering.

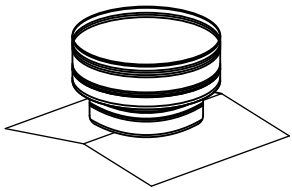
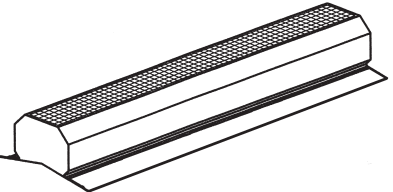

PACKAGING COSTS:

1. Maximum 3000 lbs. per bundle, unless specified otherwise by customer.
2. Block and band with no cover sheet..... \$10.00
3. Block and band with cover sheet top only \$1.50/Linear Foot.
4. Block and band with cover sheet top and bottom \$2.75/Linear Foot.
5. LTL Crating.....\$7.00/LFT - \$300 per crate minimum.

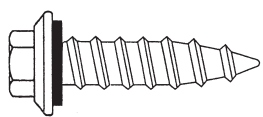
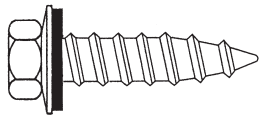
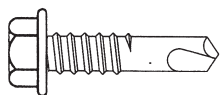
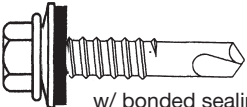
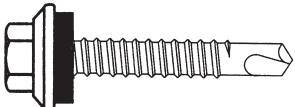
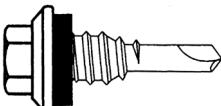
ACCESSORIES

| | | | | | | |
|---|---|--------------|--------------|-------------|--------------|------------|
| <p>RUBBER PIPE FLASHING • FLASHERS • GRAY EPDM</p>  | SIZE | PIPE SIZE | TEMP. RANGE | BASE | WT./EA. | PRICE EACH |
| | GRAY EPDM | | | | | |
| | #1 | ¼" - 2" | -65° to 250° | 4-¾" | 0.20# | \$16.50 |
| | #3 | ¼" - 5" | -65° to 250° | 7-¾" | 0.45# | \$23.50 |
| | #5 | 4-¼" - 7-½" | -65° to 250° | 10-¾" | 1.00# | \$39.50 |
| | #7 | 6" - 11" | -65° to 250° | 14-¼" | 2.00# | \$80.25 |
| #8 | 7" - 13" | -65° to 250° | 16-½" | 2.30# | \$118.50 | |
| <p>TOUCH-UP PAINT</p>  | DESCRIPTION | | | | | PRICE EACH |
| | Matching Color, Panel & Trim Touch Up Paint 2 oz. Bottle <div style="display: flex; justify-content: space-between;"> Silicone Polyester \$18.75 </div> <div style="display: flex; justify-content: space-between;"> Kynar \$32.75 </div> | | | | | |
| <p>LIGHT TRANSMITTING PANELS</p>  | TYPE | COLOR | LENGTH | WT./EA. | PRICE Each | |
| | SBS 369 | White | 10'-0" | 10.5# | \$57.75 | |
| | <p>ACRYLIT CHOPPED-GLASS</p> <p>Acrylit Premium Resin, anti-yellowing, chopped glass, light transmitting panel. Nominal weight of 5 oz. per square foot with 77% light transmission.</p> <p>WARNING: This light transmitting panel is not designed or intended to bear any weight of a person standing, sitting, walking or resting on them.</p> | | | | | |
| <p>SBS 369 CLOSURE STRIP</p> <p>Each Piece 3'-0"</p>  | DESCRIPTION | | | | WT./100 | PRICE EACH |
| | Inside | | | | 4.0# | \$0.92 |
| | Outside | | | | 6.2# | \$0.92 |
| <p>TAPE SEAL</p>  <div style="display: flex; align-items: center; margin-left: 100px;"> <div style="width: 20px; height: 5px; background-color: black; margin-right: 5px;"></div> Flat </div> | SIZE | CARTON QTY | ROLL WT./EA. | PRICE EACH | | |
| | ¾" x ¾" x 45' | 40 | 1.5# | \$3.85 | | |
| | 1" x ¾" x 45' | 20 | 3.3# | \$8.75 | | |
| <p>TUBE CAULKING</p>  <p>10.3 oz. cartridge</p> | TYPE | COLOR | TUBE SIZE | CARTON QTY, | TUBE WT./EA. | PRICE EACH |
| | Polyurethane | White | 10.3 oz | 30 | 1.2# | \$8.75 |
| | Polyurethane | Gray | 10.3 oz | 30 | 1.2# | \$8.75 |
| | Polyurethane | Bronze | 10.3 oz | 30 | 1.2# | \$8.75 |
| | Polyurethane | Almond | 10.3 oz | 30 | 1.2# | \$8.75 |
| | Silicone | Clear | 10.3 oz | 30 | 1.2# | \$11.25 |

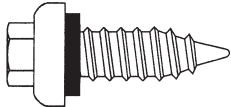
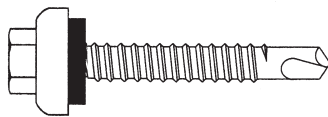
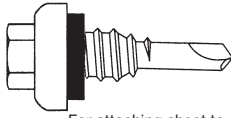

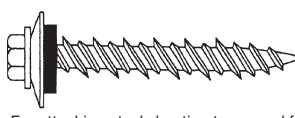
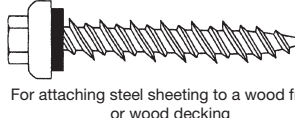
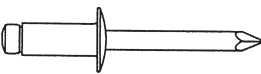
ACCESSORIES

| | DESCRIPTION | WT./EA. | PRICE EACH | |
|--|--|------------|------------|----------|
| | | | GALVALUME® | WHITE |
| <p style="text-align: center;">CIRCULAR GRAVITY VENTILATORS</p>  | 20" Diameter Throat, 26 GA, w/ damper | 70.0# | \$385.00 | \$435.00 |
| | 24" Diameter Throat, 26 GA, w/ damper | 70.0# | \$480.00 | \$520.00 |
| <p>All ventilators have bird screen and damper. Pricing shown is for ventilators with flat base only. For standard color ventilators other than White, please inquire. For chain operated ventilators, please inquire. For hardware required for adjustable ventilators, see below.</p> | | | | |
| | DESCRIPTION | WT./EA. | PRICE EACH | |
| | | | GALVALUME® | WHITE |
| <p style="text-align: center;">CONTINUOUS THROAT GRAVITY RIDGE VENTILATORS</p>  | 9" Throat x 10' Long, 26 GA, w/ damper | 207.0# | \$750.00 | \$800.00 |
| | 12" Throat x 10' Long, 26 GA, w/ damper | 223.0# | \$810.00 | \$890.00 |
| <p>All ventilators have bird screen and damper. Pricing shown is for ventilators with flat skirts only. Included with each ventilator are splice plates, end skirts, and special rope sealant. All ventilators will conform to roof slopes up to 6:12. For standard color ventilators other than Polar White, please inquire. For chain operated ventilators, please inquire. For hardware required for adjustable ventilators, see below.</p> | | | | |
| | DESCRIPTION. | PRICE EACH | | |
| | | | | |
| <p style="text-align: center;">VENTILATOR HARDWARE</p>  | Galvanized ³ / ₁₆ " Vent Cable | \$.42 ft | | |
| | Vent Pulley | \$8.75 | | |
| | ¼" x 2" Eye Bolt w/ Nuts | \$.45 | | |
| | Cable Clamps | \$.60 | | |
| | Operator Handle | \$64.00 | | |

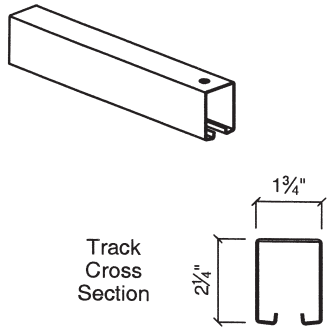
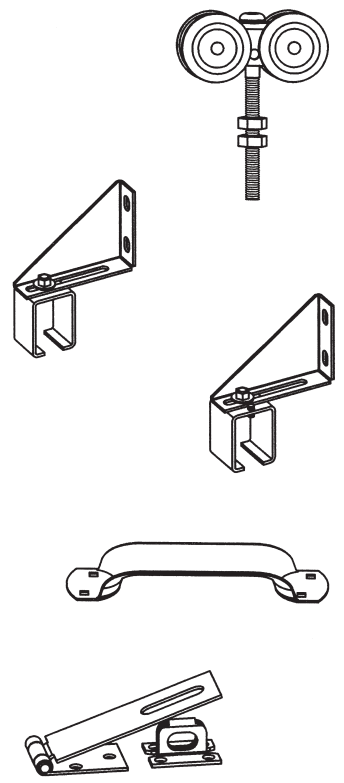
ACCESSORIES

| SELF-TAPPING CARBON STEEL FASTENERS  <small>Holes must be pre-drilled through all metal when using this type of fastener</small> | SIZE | LENGTH | TYPE | HEAD AF | WT./M | PRICE PER 1000 | |
|--|------|--------|---------|---------|-------|----------------|-----------|
| | | | | | | | PLAIN |
| | #14 | ¾" | A | ⅝" | 13.2# | \$183.00 | \$204.00 |
| | #14 | 1" | A | ⅝" | 17.0# | \$207.00 | \$228.00 |
| | #14 | 1-½" | A | ⅝" | 21.0# | \$240.00 | \$261.00 |
| | #17 | 1" | AB | ⅝" | 16.0# | \$330.00 | \$351.00 |
| <small>Fasteners sold in quantities of 250 only</small> | | | | | | | |
| 304 STAINLESS STEEL SELF-TAPPING FASTENERS  <small>Holes must be pre-drilled through all metal when using this fastener. CAUTION: The threads on 304 SS fasteners are softer than carbon steel and will strip out if over-torqued or forced into too small a hole.</small> | SIZE | LENGTH | TYPE | HEAD AF | WT./M | PRICE PER 1000 | |
| | | | | | | | PLAIN |
| | #14 | ¾" | A | ⅜" | 14.7# | \$612.00 | \$633.00 |
| | #14 | 1" | A | ⅜" | 17.0# | \$663.00 | \$684.00 |
| | #14 | 1½" | A | ⅜" | 21.4# | \$867.00 | \$888.00 |
| | #17 | 1" | AB | ⅜" | 21.0# | \$1095.00 | \$1116.00 |
| <small>Fasteners sold in quantities of 250 only</small> | | | | | | | |
| MINI-WAREHOUSE SELF-DRILLING CARBON STEEL FASTENERS  <small>No sealing washer</small> | SIZE | LENGTH | TYPE | HEAD AF | WT./M | PRICE PER 1000 | |
| | | | | | | | PLAIN |
| | #12 | 7/8" | DRILLER | ⅝" | 8.7# | \$89.25 | \$106.50 |
| <small>Fasteners sold in quantities of 250 only</small> | | | | | | | |
| MINI-WAREHOUSE SELF-DRILLING CARBON STEEL FASTENERS  <small>w/ bonded sealing washer</small> | SIZE | LENGTH | TYPE | HEAD AF | WT./M | PRICE PER 1000 | |
| | | | | | | | PLAIN |
| | #12 | 7/8" | DRILLER | ⅝" | 11.7# | \$111.00 | \$132.00 |
| <small>Fasteners sold in quantities of 250 only</small> | | | | | | | |
| SELF-DRILLING CARBON STEEL FASTENERS  <small>For attaching sheet to Cees and Zees</small> | SIZE | LENGTH | TYPE | HEAD AF | WT./M | PRICE PER 1000 | |
| | | | | | | | PLAIN |
| | #12 | 1-¼" | DRILLER | ⅝" | 16.2# | \$98.25 | \$115.25 |
| | #12 | 1-½" | DRILLER | ⅝" | 17.1# | \$128.50 | \$145.50 |
| | #12 | 2" | DRILLER | ⅝" | 20.0# | \$204.75 | \$221.75 |
| <small>Fasteners sold in quantities of 250 only</small> | | | | | | | |
| SELF-DRILLING CARBON STEEL FASTENERS  <small>For attaching sheet to sheet</small> | SIZE | LENGTH | TYPE | HEAD AF | WT./M | PRICE PER 1000 | |
| | | | | | | | PLAIN |
| | #14 | 7/8" | LAPTEK | ⅝" | 12.6# | \$96.00 | \$113.00 |
| <small>Fasteners sold in quantities of 250 only</small> | | | | | | | |

ACCESSORIES

| | SIZE | LENGTH | TYPE | HEAD AF | WT./M | PRICE PER 1000 | |
|---|--|--------|---------------|---------|--------|----------------|----------|
|  Holes must be pre-drilled through all metal when using this type of fastener | #14 | 1" | AB | 5/16" | 17.9# | PLAIN | PAINTED |
| | #17 | 1" | AB | 5/16" | 18.0# | \$236.50 | \$253.50 |
| | Fasteners sold in quantities of 250 only | | | | | | \$274.50 |
|  For attaching sheet to Ceess and Zees | #12 | 1-1/4" | DRILLER | 5/16" | 18.1# | PLAIN | PAINTED |
| | #12 | 1-1/2" | DRILLER | 5/16" | 19.2# | \$192.25 | \$209.25 |
| | #12 | 2" | DRILLER | 5/16" | 20.7# | \$242.50 | \$259.50 |
| | Fasteners sold in quantities of 250 only | | | | | | \$312.00 |
|  For attaching sheet to sheet | #14 | 7/8" | LAPTEK | 5/16" | 17.2# | PLAIN | PAINTED |
| | Fasteners sold in quantities of 250 only | | | | | | \$187.75 |
|  For attaching sheet to Ceess and Zees | #14 | 1-1/4" | DRILLER | 5/16" | 19.2# | PLAIN | PAINTED |
| | Fasteners sold in quantities of 250 only | | | | | | \$271.25 |
|  For attaching steel sheeting to a wood frame or wood decking | #10 | 1" | WOODGRIP | 1/4" | 8.2# | PLAIN | PAINTED |
| | #10 | 1-1/2" | WOODGRIP | 1/4" | 10.5# | \$53.50 | \$70.50 |
| | #10 | 2" | WOODGRIP | 1/4" | 12.3# | \$66.50 | \$83.50 |
| | Fasteners sold in quantities of 250 only | | | | | | \$77.50 |
|  For attaching steel sheeting to a wood frame or wood decking | #10 | 1" | WOODGRIP | 5/16" | 9.5# | PLAIN | PAINTED |
| | #10 | 1-1/2" | WOODGRIP | 5/16" | 11.5# | \$217.50 | \$234.50 |
| | #10 | 2" | WOODGRIP | 5/16" | 14.0# | \$299.50 | \$316.50 |
| | Fasteners sold in quantities of 250 only | | | | | | \$329.25 |
|  Body and mandrel are stainless steel | SIZE | | GRIP RANGE | | WT./M. | PRICE PER 1000 | |
| | 1/8" Diameter | | .126" - .187" | | 2.8# | PLAIN | PAINTED |
| Pop Rivets sold in quantities of 250 only | | | | | | \$115.50 | \$141.50 |

ACCESSORIES

| | DESCRIPTION | PRICE EACH | |
|--|--|------------|----------|
| <p style="text-align: center;">NATIONAL SLIDING DOOR TRACK</p>  <p style="font-size: small;">Track Cross Section</p> <p style="font-size: x-small;">All track is 16 ga. Galvanized</p> | LENGTH | WT./EA. | |
| | Door Track x 8'-0 | 14.2# | \$83.50 |
| | Door Track x 10'-0 | 16.5# | \$105.50 |
| | Door Track x 12'-0 | 20.8# | \$125.00 |
| | Maximum door weight should be 400 lbs. | | |
| | DESCRIPTION | PRICE EACH | |
| <p style="text-align: center;">NATIONAL SLIDING DOOR HARDWARE</p>  <p style="font-size: x-small;">All hardware is zinc-plated</p> | ITEM | WT./EA. | |
| | 2 1/8" diameter Trolley Truck w/ 5 1/2" bolt. (max. door weight 400 lbs.) | 1.2# | \$63.25 |
| | Track Hanger Bracket. (use every 2' of track) | 1.4# | \$25.25 |
| | Track Hanger/Splice Bracket (has set screw) | 1.5# | \$42.50 |
| | #7 Extra Heavy Duty Door Pull. | .9# | \$13.00 |
| 4 1/2" Hasp and Staple set. | .3# | \$13.00 | |



HOUSTON PLANT
 17600 Badtke Road
 P.O. Box 609
 Hockley, TX 77447-0609
 1.866.749.2667 Toll Free
 281.213.6100 Tel.
 281.213.6101 Fax

BIRMINGHAM PLANT
 3387 Davey Allison Blvd.
 P.O. Box 3160
 Hueytown, AL 35023
 1.877.887.4247 Toll Free
 205.744.1561 Tel.
 205.744.1562 Fax

TRIM COLOR SELECTION CHART

| | 26 Ga. | 24 Ga. | 22 Ga. |
|--|--------|--------|--------|
| CLEAR ACRYLIC COATED GALVALUME® | • | • | • |
| PREMIUM POLYESTER – PPOL | | | |
| Polar White | • | • | |
| SILICONE POLYESTER – SMP | | | |
| Light Stone | • | | |
| Ash Gray | • | | |
| Desert Sand | • | | |
| Charcoal Gray | • | | |
| Burnished Slate | • | | |
| Saddle Tan | • | | |
| Hawaii Blue | • | | |
| Rustic Red | • | | |
| Fern Green | • | | |
| Burgundy | • | | |
| Koko Brown | • | | |
| Colony Green | • | | |
| Crimson Red | • | | |
| Aztec Gold | • | | |
| Evergreen | • | | |
| Coal Black | • | | |
| Solar White | • | | |
| KYNAR 500® | | | |
| Gallery Blue | • | • | |
| Regal Red | • | • | |
| Medium Bronze | | • | |
| Snow White | | • | |
| Slate Gray | | • | |
| Almond | | • | |
| Classic Green | | • | |
| Brownstone | | • | |
| Colonial Red | | • | |
| Bone White | | • | |
| Midnight Bronze | | • | |

FLAT SHEET PRICING

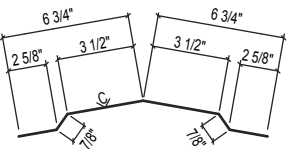
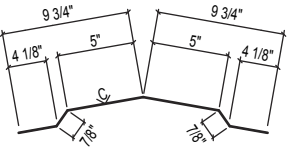
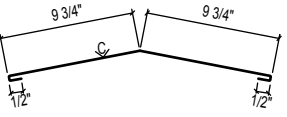
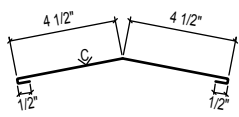
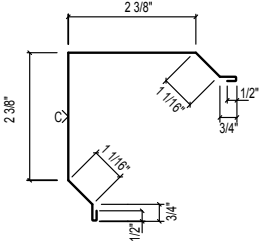


| Finish | Gauge | Width | WT./FT. | PRICE PER FOOT |
|---------------------------------|-------|----------|---------|----------------|
| Clear Acrylic Coated GALVALUME® | 26 | 41 9/16" | 2.94# | \$5.25 |
| SMP Standard Colors | 26 | 41 9/16" | 2.94# | \$7.90 |
| PPOL Polar White | 26 | 41 9/16" | 2.94# | \$7.90 |
| Kynar 500® Colors | 26 | 41 9/16" | 2.94# | \$8.18 |
| PPOL Polar White | 24 | 42 3/4" | 3.86# | \$9.03 |
| Kynar 500® Colors | 24 | 42 3/4" | 3.86# | \$10.13 |
| Clear Acrylic Coated GALVALUME® | 24 | 42 3/4" | 3.86# | \$7.10 |
| Clear Acrylic Coated GALVALUME® | 22 | 42 3/4" | 4.27# | \$11.50 |

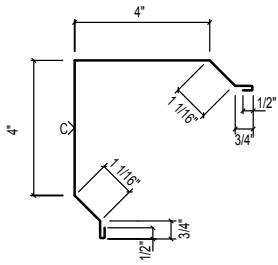
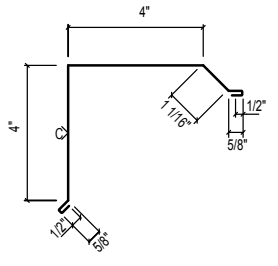
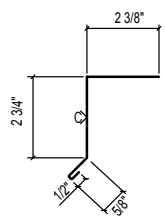
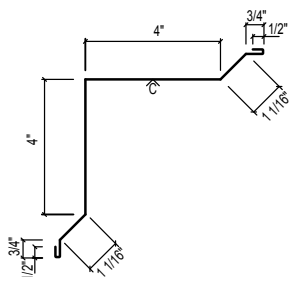
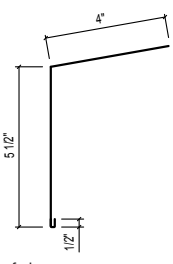
NOTES:

1. Add \$35.00 for flat sheet wood skid/Maximum 100 flat sheets or 3000# per skid. Maximum 14' length.
2. Add \$50.00 for LTL crating/Maximum 100 flat sheets or 3000# per skid.
3. Strippable film is applied to all colored flat sheets.
4. Flat sheet lengths other than 10'-2" are available upon request. Minimum length 5', maximum length 14'-0". Flat sheet lengths over 14'-0" require special skid. Please inquire.
5. All flat sheets conform to ASTM A792, Grade 50 (Yield Strength 50,000 PSI).

TRIM

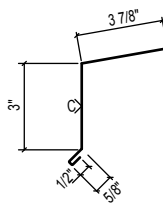
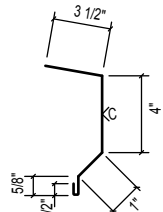
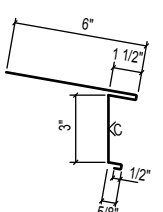
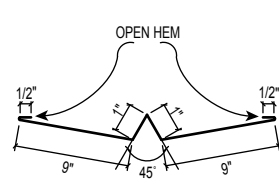
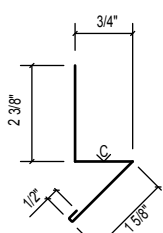
| ITEM | DESCRIPTION | PRICE PER FOOT | | |
|--|--|----------------|------------|--------|
| | PART NUMBER | WT./FT. | GALVALUME® | SMP |
| RIDGE CAP  Specify roof slope. | AR-100 | .76# | \$3.74 | \$4.72 |
| | RIDGE CAP  Specify roof slope. | AR-101 | 1.08# | \$4.96 |
| FLAT RIDGE/HIP  Specify roof slope. | | AR-102 | 1.11# | \$5.05 |
| | FLAT RIDGE/HIP  Specify roof slope. | AR-103 | .54# | \$2.92 |
| CORNER TRIM - OUTSIDE  | | AR-104 | .51# | \$3.52 |

TRIM

| ITEM | DESCRIPTION | | PRICE PER FOOT | |
|--|-------------|---------|----------------|--------|
| | | | GALVALUME® | SMP |
|  | PART NUMBER | WT./FT. | GALVALUME® | SMP |
| | AR-105 | .68# | \$4.18 | \$5.05 |
|  | PART NUMBER | WT./FT. | GALVALUME® | SMP |
| | AR-106 | .61# | \$3.73 | \$4.52 |
|  | PART NUMBER | WT./FT. | GALVALUME® | SMP |
| | AR-107 | .34# | \$1.99 | \$2.43 |
|  | PART NUMBER | WT./FT. | GALVALUME® | SMP |
| | AR-108 | .68# | \$4.18 | \$5.05 |
|  <p style="font-size: small;">Specify roof slope.</p> | PART NUMBER | WT./FT. | GALVALUME® | SMP |
| | AR-109 | .54# | \$2.57 | \$3.27 |

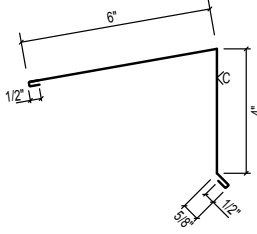
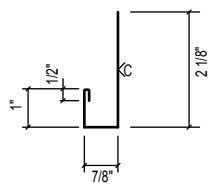
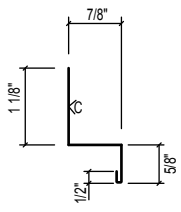
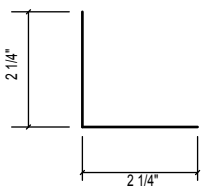
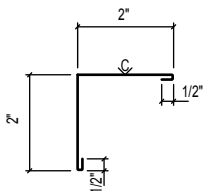
TRIM

All trim is 26ga, unless noted

| ITEM | DESCRIPTION | | PRICE PER FOOT | |
|--|--------------------|----------------|-------------------|------------|
| | | | GALVALUME® | SMP |
| EAVE TRIM  Specify roof slope. | PART NUMBER | WT./FT. | | |
| | AR-110 | .43# | \$2.34 | \$2.90 |
| EAVE FACIA TRIM  Specify roof slope | PART NUMBER | WT./FT. | GALVALUME® | SMP |
| | AR-111 | .53# | \$2.85 | \$3.52 |
| EAVE DRIP TRIM  Specify roof slope | PART NUMBER | WT./FT. | GALVALUME® | SMP |
| | AR-112 | .63# | \$3.44 | \$4.25 |
| VALLEY TRIM  Specify roof slope. | PART NUMBER | WT./FT. | GALVALUME® | SMP |
| | AR-113 | 1.13# | \$5.52 | \$6.98 |
| BASE TRIM  | PART NUMBER | WT./FT. | GALVALUME® | SMP |
| | AR-114 | .28# | \$1.79 | \$2.15 |

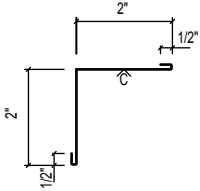
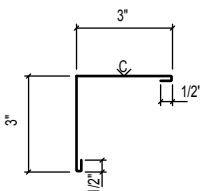
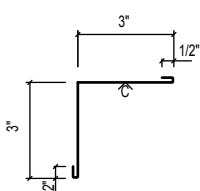
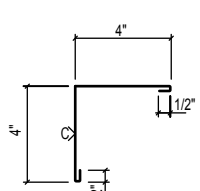
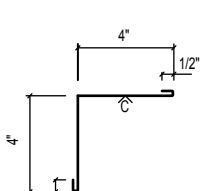
TRIM

All trim is 26ga, unless noted

| ITEM | DESCRIPTION | | PRICE PER FOOT | |
|--|-------------|---------|----------------|--------|
| | | | GALVALUME® | SMP |
| HIGH SIDE EAVE  Specify roof slope | PART NUMBER | WEIGHT | GALVALUME® | SMP |
| | AR-115 | .63# | \$3.44 | \$4.25 |
| JAMB/HEAD TRIM  | PART NUMBER | WT./FT. | GALVALUME® | SMP |
| | AR-116 | .24# | \$1.63 | \$1.95 |
| DOUBLE ANGLE TRIM  | PART NUMBER | WT./FT. | GALVALUME® | SMP |
| | AR-117 | .17# | \$1.35 | \$1.57 |
| ANGLE TRIM  Specify color side | PART NUMBER | WT./FT. | GALVALUME® | SMP |
| | AR-118 | .24# | \$1.10 | \$1.41 |
| 2 X 2 OUTSIDE ANGLE  | PART NUMBER | WT./FT. | GALVALUME® | SMP |
| | AR-119 | .27# | \$1.91 | \$2.26 |

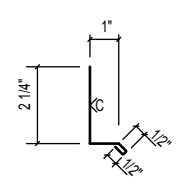
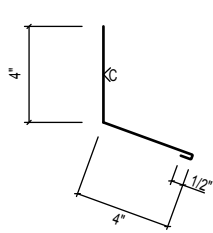
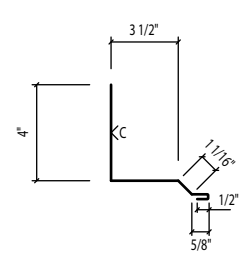
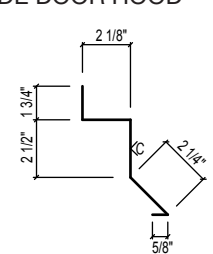
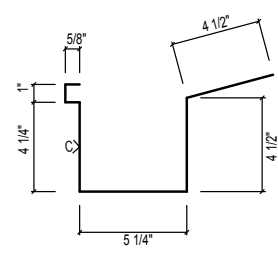
TRIM

All trim is 26ga, unless noted

| ITEM | DESCRIPTION | | PRICE PER FOOT | |
|---|-------------|---------|----------------|--------|
| | | | GALVALUME® | SMP |
| 2 X 2 INSIDE ANGLE  | PART NUMBER | WT./FT. | GALVALUME® | SMP |
| | AR-120 | .27# | \$1.91 | \$2.26 |
| 3 X 3 OUTSIDE ANGLE  | PART NUMBER | WT./FT. | GALVALUME® | SMP |
| | AR-121 | .38# | \$2.32 | \$2.80 |
| 3 X 3 INSIDE ANGLE  | PART NUMBER | WT./FT. | GALVALUME® | SMP |
| | AR-122 | .38# | \$2.32 | \$2.80 |
| 4 X 4 OUTSIDE ANGLE  | PART NUMBER | WT./FT. | GALVALUME® | SMP |
| | AR-123 | .49# | \$2.72 | \$3.35 |
| 4 X 4 INSIDE ANGLE  | PART NUMBER | WT./FT. | GALVALUME® | SMP |
| | AR-124 | .49# | \$2.72 | \$3.35 |

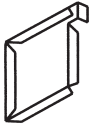

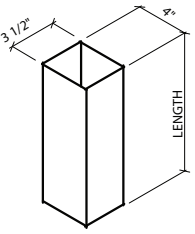
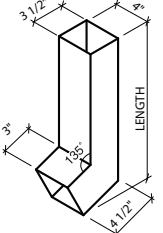
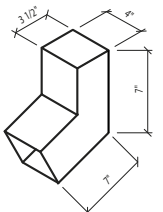
TRIM

All trim is 26ga, unless noted

| ITEM | DESCRIPTION | | PRICE PER FOOT | |
|--|-------------|---------|----------------|--------|
| | | | GALVALUME® | SMP |
| BASE TRIM  | PART NUMBER | WT./FT. | GALVALUME® | SMP |
| | AR-125 | .22# | \$1.55 | \$1.84 |
| TRANSITION TRIM  <p>Specify roof slope</p> | PART NUMBER | WT./FT. | GALVALUME® | SMP |
| | AR-126 | .46# | \$2.26 | \$2.85 |
| ROOF CONVERSION TRIM  | PART NUMBER | WT./FT. | GALVALUME® | SMP |
| | AR-127 | .52# | \$2.86 | \$3.54 |
| SLIDE DOOR HOOD  | PART NUMBER | WT./FT. | GALVALUME® | SMP |
| | AR-128 | .50# | \$2.59 | \$3.24 |
| BOX EAVE GUTTER  <p>Specify roof slope.</p> | PART NUMBER | WT./FT. | GALVALUME® | SMP |
| | AR-129 | 1.12# | \$5.29 | \$6.73 |

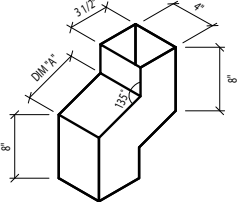
TRIM

All trim is 26ga, unless noted

| ITEM | DESCRIPTION | | | PRICE PER FOOT | |
|---|-------------|--------|---------|----------------|------------|
| | PART NUMBER | LENGTH | WT./EA. | GALVALUME® | SMP |
| GUTTER ENDS  Specify left or right. | PART NUMBER | | WT./EA. | GALVALUME® | SMP |
| | AR-130 | | .21# | \$11.50 EA | \$13.50 EA |
| GUTTER STRAP  | PART NUMBER | LENGTH | WT./EA. | GALVALUME® | SMP |
| | FL-38 | 1'-0" | .23# | \$2.30 EA | \$2.65 EA |
| DOWNSPOUT (STRAIGHT)  | PART NUMBER | | WT./FT. | GALVALUME® | SMP |
| | FL-40 | | 1.15# | \$6.28 | \$8.21 |
| DOWNSPOUT (W/45° ELBOW)  | PART NUMBER | | WT./FT. | GALVALUME® | SMP |
| | FL-41 | | 1.15# | \$6.91 | \$8.49 |
| DOWNSPOUT ELBOW  | PART NUMBER | LENGTH | WT./EA. | GALVALUME® | SMP |
| | FL-42 (45°) | 7" | 1.40# | \$24.00 EA | \$26.25 EA |
| | FL-43 (90°) | 7" | 1.40# | \$24.00 EA | \$26.25 EA |

TRIM

All trim is 26ga, unless noted

| ITEM | DESCRIPTION | | | | PRICE PER FOOT | |
|---|-------------|----------------|---------|--------|----------------|-------------|
| | PART NUMBER | LENGTH | GIRTH | WT./FT | GALVALUME® | SMP |
| DOWNSPOUT OFFSET  | FL-44A | 6" - 5'-0" | 16 3/4" | 1.14# | \$52.50 EA. | \$58.25 EA. |
| | FL-44B | 5'-1" - 10'-0" | 16 3/4" | 1.14# | \$73.75 EA. | \$83.75 EA. |
| NOTE: Specify DIM. A (Slope Dimension) | | | | | | |



HOUSTON PLANT
 17600 Badtke Road
 P.O. Box 609
 Hockley, TX 77447-0609
 1.866.749.2667 Toll Free
 281.213.6100 Tel.
 281.213.6101 Fax

BIRMINGHAM PLANT
 3387 Davey Allison Blvd.
 P.O. Box 3160
 Hueytown, AL 35023
 1.877.887.4247 Toll Free
 205.744.1561 Tel.
 205.744.1562 Fax

TRIM PRICING INFO / SPECIAL TRIM PRICING

TRIM PRICING:

1. 24 ga. & 22ga. GALVALUME, 24 ga. PPOL Polar White & 24 ga. Kynar 500 colors available at an additional cost. (See Page AR-9 for available trim color selections.)
2. Prices do not include standard packaging.

PACKAGING COST:

1. Trim with girth greater than 15" 20 pieces/carton
2. Trim with girth less than 15" 50 pieces/carton
3. Downspouts..... 12/carton
4. Standard Packaging: 500# test cardboard with protective interleaf and metal bands \$22.50 (10') \$40.00 (21')
5. Paper wrap only (For customer pick-up only) \$5.00 (10') \$10.00 (21')
6. LTL Packaging: 500# test cardboard with protective interleaf, wood blocks and metal bands \$50.00 (10') \$75.00 (21')
7. Plywood crating \$20.00/linear foot
8. Special Packaging Please Inquire.

DELIVERY:

All SBS stocked trim colors and gauges (See Page AR-9 for available trim color selections) Approximately 3 to 5 Working Days

SPECIAL TRIM PRICING

FORMULA FOR PRICING SPECIAL TRIM

Use the following formula to calculate the Price Per Foot of Trim:

Girth of Material x Price per Inch of Girth + Price per Number of Breaks

| | | |
|---|--------------------------|---|
| Price per Inch of Girth | - 26 Gauge (GALVALUME) | ~ \$0.24 |
| | - 26 Gauge (SMP COLOR) | ~ \$0.32 |
| | - 26 Gauge (KYNAR COLOR) | ~ \$0.37 (See Page AR-9 for Limited Color Selections) |
| | - 24 Gauge (GALVALUME) | ~ \$0.27 |
| | - 24 Gauge (SMP COLOR) | ~ \$0.36 |
| | - 24 Gauge (KYNAR COLOR) | ~ \$0.43 |
| | - 22 Gauge (GALVALUME) | ~ \$0.42 |
| Price per Break (Hem equals two breaks) | | ~ \$0.14 |

1. All trim to be 26 gauge material unless noted otherwise on customer drawing or sketch.
2. Customer drawing or sketch of special trim must be in our possession for order to be processed.
3. Specify the side with the finish color.
4. If more than one special trim is required, number each piece SF1, SF2, SF3, etc.
5. Tapered trim requirements: \$25.00 Set-Up charge per section - NO EXCEPTIONS. Drawings must be furnished by customer and be "shop ready".
6. 5'-0 minimum length will be charged.

For product application, design details and other product information, visit our web site at SBSLP.com and click on the Guides and Product Brochures link in the Components Tab.

ANGLE CHART FOR ROOF LINE TRIM



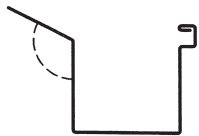
Hip



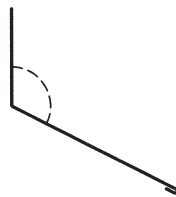
Valley



Ridge



Gutter



Transition



Inside

| | Roof Slope | | | | | | | | | | | |
|-----------------------|------------|------|------|------|------|------|------|------|------|-------|-------|-------|
| | 1:12 | 2:12 | 3:12 | 4:12 | 5:12 | 6:12 | 7:12 | 8:12 | 9:12 | 10:12 | 11:12 | 12:12 |
| Hip | 173° | 166° | 160° | 154° | 148° | 143° | 138° | 133° | 129° | 126° | 123° | 120° |
| Valley | 117° | 113° | 110° | 107° | 104° | 102° | 99° | 97° | 95° | 93° | 92° | 90° |
| Ridge | 170° | 161° | 152° | 143° | 135° | 127° | 120° | 113° | 106° | 100° | 95° | 90° |
| Gutter and Transition | 94° | 99° | 104° | 108° | 112° | 116° | 120° | 123° | 126° | 129° | 132° | 135° |
| Inside | 86° | 81° | 76° | 72° | 68° | 64° | 60° | 57° | 54° | 51° | 48° | 45° |

This chart assumes the roof slopes are the same on both sides of the hip, valley, or ridge line.
Contact your salesperson if the roof slopes are different.