



HOUSTON PLANT
 17600 Badtke Road
 P.O. Box 609
 Hockley, TX 77447-0609
 1.866.749.2667 Toll Free
 281.213.6100 Tel.
 281.213.6101 Fax

BIRMINGHAM PLANT
 3387 Davey Allison Blvd.
 P.O. Box 3160
 Hueytown, AL 35023
 1.877.887.4247 Toll Free
 205.744.1561 Tel.
 205.744.1562 Fax

TABLE OF CONTENTS

SSR SYSTEMS PRICING

- I. PANELS**
 - 1. TS-324.....SSR-2-3
 - 2. VS-216.....SSR-4-5

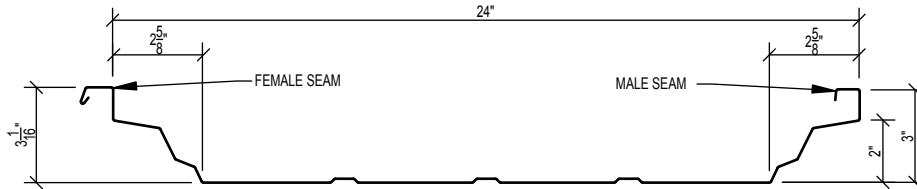
- II. STRUCTURAL**
 - 1. LIGHT GAUGE FRAMING SSR-6

- III. ACCESSORIES**
 - 1. CLIPS SSR-7
 - 2. EAVE PLATES SSR-8
 - 3. RAKE SUPPORT ANGLES SSR-8
 - 4. BACK-UP PLATES SSR-9
 - 5. OUTSIDE CLOSURES SSR-9
 - 6. INSIDE CLOSURES SSR-9
 - 7. ENDLAP CINCH STRAP..... SSR-9
 - 8. GUTTER STRAP SSR-10
 - 9. TAPE SEALER SSR-10
 - 10. TUBE CAULKING SSR-10
 - 11. HAND SEAMERS SSR-10
 - 12. TOUCH-UP PAINT SSR-10
 - 13. CONTINUOUS VENTS SSR-11
 - 14. VENT HARDWARE SSR-11
 - 15. LIGHT TRANSMITTING PANELS SSR-11
 - 16. FASTENERSSSR-12-14
 - 17. TRIM COLOR SELECTIONS / FLAT SHEETS.....SSR-15-16

- III. TRIM.....SSR-17-28**

PANEL SQUARE FOOTAGE CHART

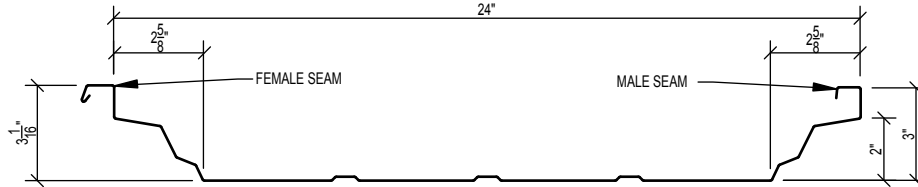
TS-324



FT.	0"	1"	2"	3"	4"	5"	6"	7"	8"	9"	10"	11"
1'	2.00	2.17	2.33	2.50	2.67	2.83	3.00	3.17	3.33	3.50	3.67	3.83
2'	4.00	4.17	4.33	4.50	4.67	4.83	5.00	5.17	5.33	5.50	5.67	5.83
3'	6.00	6.17	6.33	6.50	6.67	6.83	7.00	7.17	7.33	7.50	7.67	7.83
4'	8.00	8.17	8.33	8.50	8.67	8.83	9.00	9.17	9.33	9.50	9.67	9.83
5'	10.00	10.17	10.33	10.50	10.67	10.83	11.00	11.17	11.33	11.50	11.67	11.83
6'	12.00	12.17	12.33	12.50	12.67	12.83	13.00	13.17	13.33	13.50	13.67	13.83
7'	14.00	14.17	14.33	14.50	14.67	14.83	15.00	15.17	15.33	15.50	15.67	15.83
8'	16.00	16.17	16.33	16.50	16.67	16.83	17.00	17.17	17.33	17.50	17.67	17.83
9'	18.00	18.17	18.33	18.50	18.67	18.83	19.00	19.17	19.33	19.50	19.67	19.83
10'	20.00	20.17	20.33	20.50	20.67	20.83	21.00	21.17	21.33	21.50	21.67	21.83
11'	22.00	22.17	22.33	22.50	22.67	22.83	23.00	23.17	23.33	23.50	23.67	23.83
12'	24.00	24.17	24.33	24.50	24.67	24.83	25.00	25.17	25.33	25.50	25.67	25.83
13'	26.00	26.17	26.33	26.50	26.67	26.83	27.00	27.17	27.33	27.50	27.67	27.83
14'	28.00	28.17	28.33	28.50	28.67	28.83	29.00	29.17	29.33	29.50	29.67	29.83
15'	30.00	30.17	30.33	30.50	30.67	30.83	31.00	31.17	31.33	31.50	31.67	31.83
16'	32.00	32.17	32.33	32.50	32.67	32.83	33.00	33.17	33.33	33.50	33.67	33.83
17'	34.00	34.17	34.33	34.50	34.67	34.83	35.00	35.17	35.33	35.50	35.67	35.83
18'	36.00	36.17	36.33	36.50	36.67	36.83	37.00	37.17	37.33	37.50	37.67	37.83
19'	38.00	38.17	38.33	38.50	38.67	38.83	39.00	39.17	39.33	39.50	39.67	39.83
20'	40.00	40.17	40.33	40.50	40.67	40.83	41.00	41.17	41.33	41.50	41.67	41.83
21'	42.00	42.17	42.33	42.50	42.67	42.83	43.00	43.17	43.33	43.50	43.67	43.83
22'	44.00	44.17	44.33	44.50	44.67	44.83	45.00	45.17	45.33	45.50	45.67	45.83
23'	46.00	46.17	46.33	46.50	46.67	46.83	47.00	47.17	47.33	47.50	47.67	47.83
24'	48.00	48.17	48.33	48.50	48.67	48.83	49.00	49.17	49.33	49.50	49.67	49.83
25'	50.00	50.17	50.33	50.50	50.67	50.83	51.00	51.17	51.33	51.50	51.67	51.83
26'	52.00	52.17	52.33	52.50	52.67	52.83	53.00	53.17	53.33	53.50	53.67	53.83
27'	54.00	54.17	54.33	54.50	54.67	54.83	55.00	55.17	55.33	55.50	55.67	55.83
28'	56.00	56.17	56.33	56.50	56.67	56.83	57.00	57.17	57.33	57.50	57.67	57.83
29'	58.00	58.17	58.33	58.50	58.67	58.83	59.00	59.17	59.33	59.50	59.67	59.83
30'	60.00	60.17	60.33	60.50	60.67	60.83	61.00	61.17	61.33	61.50	61.67	61.83
31'	62.00	62.17	62.33	62.50	62.67	62.83	63.00	63.17	63.33	63.50	63.67	63.83
32'	64.00	64.17	64.33	64.50	64.67	64.83	65.00	65.17	65.33	65.50	65.67	65.83
33'	66.00	66.17	66.33	66.50	66.67	66.83	67.00	67.17	67.33	67.50	67.67	67.83
34'	68.00	68.17	68.33	68.50	68.67	68.83	69.00	69.17	69.33	69.50	69.67	69.83
35'	70.00	70.17	70.33	70.50	70.67	70.83	71.00	71.17	71.33	71.50	71.67	71.83
36'	72.00	72.17	72.33	72.50	72.67	72.83	73.00	73.17	73.33	73.50	73.67	73.83
37'	74.00	74.17	74.33	74.50	74.67	74.83	75.00	75.17	75.33	75.50	75.67	75.83
38'	76.00	76.17	76.33	76.50	76.67	76.83	77.00	77.17	77.33	77.50	77.67	77.83
39'	78.00	78.17	78.33	78.50	78.67	78.83	79.00	79.17	79.33	79.50	79.67	79.83
40'	80.00	80.17	80.33	80.50	80.67	80.83	81.00	81.17	81.33	81.50	81.67	81.83

PANEL PROFILE SELECTIONS

TS-324



PRICE PER SQUARE								
FINISH	BASE METAL	GAUGE	WEIGHT PER SQUARE	QUANTITY IN SQUARES				
						0 – 50	>50 – 100	100+
Clear Acrylic	GALVALUME®	24	120			\$282.00	\$270.00	\$265.00
* KYNAR 500® Colors	GALVALUME®	24	120			\$384.00	\$369.00	\$361.00
Solar White	GALVALUME®	24	120			\$330.75	\$318.00	\$311.00

* See Color Chart for available colors
KYNAR 500 is a registered trademark of ELF Atochem.

Clear Acrylic Coated GALVALUME® coating is subject to variances in spangle from coil to coil which may result in noticeable shade variation in installed panels. Clear Acrylic Coated GALVALUME® coating is also subject to differential weathering after panel installation. Panels may appear to be different shades due to this weathering characteristic. If a consistent appearance is required, SBS recommends that pre-painted panels be used in lieu of Clear Acrylic Coated GALVALUME®. Shade variation in panels manufactured from Clear Acrylic Coated GALVALUME® coated material do not diminish the structural integrity of the product. These shade variations should be anticipated and are not a cause for rejection.

PANEL PRICING:

- All panel pricing is based on net coverage.
- For short lengths add \$4.00 per panel for panels 3" – 2'-9" or \$2.50 per panel for panels 2'-10" – 5'-11" (Panels less than 6'-0" cannot be pre-punched and notched).
- TS-324 requires the SBS Seaming Tool to complete installation.

PACKAGING COST:

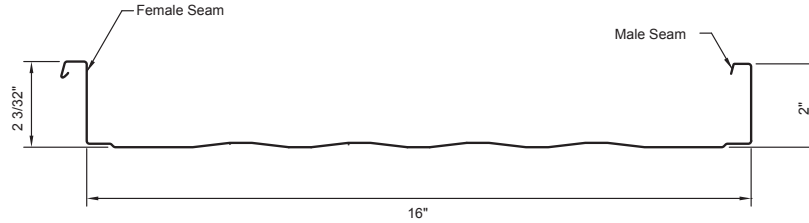
- Maximum 20 sheets per bundle.
- Standard packaging
 GALVALUME®: Banded with cardboard rings—8'-0" O.C. \$0.50 per foot of bundle (\$15.00 min.)
 Color: Banded with cardboard rings — 8'-0" O.C. with strippable film on the male and female rib ... \$0.75 per foot of bundle (\$20.00 min.)

NOTES:

- Delivery
 24 gauge-GALVALUME® and White 3 to 5 working days
 24 gauge-Standard Colors 2 to 3 weeks
 Other Gauges and Colors Please inquire
- All panels are factory notched and pre-punched both ends.
- All panels have factory applied sealant.
- Panels over 50'-0" or under 6'-0" Please inquire.
- Yield strength is 50,000 PSI on 24 gauge panels.
- Oil-Canning is not a cause for rejection.

PANEL SQUARE FOOTAGE CHART

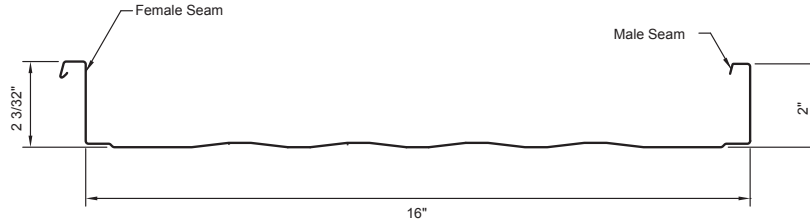
VS-216



FT.	0"	1"	2"	3"	4"	5"	6"	7"	8"	9"	10"	11"
1'	1.33	1.44	1.56	1.67	1.78	1.89	2.00	2.11	2.22	2.33	2.44	2.56
2'	2.67	2.78	2.89	3.00	3.11	3.22	3.33	3.44	3.56	3.67	3.78	3.89
3'	4.00	4.11	4.22	4.33	4.44	4.56	4.67	4.78	4.89	5.00	5.11	5.22
4'	5.33	5.44	5.56	5.67	5.78	5.89	6.00	6.11	6.22	6.33	6.44	6.56
5'	6.67	6.78	6.89	7.00	7.11	7.22	7.33	7.44	7.56	7.67	7.78	7.89
6'	8.00	8.11	8.22	8.33	8.44	8.56	8.67	8.78	8.89	9.00	9.11	9.22
7'	9.33	9.44	9.56	9.67	9.78	9.89	10.00	10.11	10.22	10.33	10.44	10.56
8'	10.67	10.78	10.89	11.00	11.11	11.22	11.33	11.44	11.56	11.67	11.78	11.89
9'	12.00	12.11	12.22	12.33	12.44	12.56	12.67	12.78	12.89	13.00	13.11	13.22
10'	13.33	13.44	13.56	13.67	13.78	13.89	14.00	14.11	14.22	14.33	14.44	14.56
11'	14.67	14.78	14.89	15.00	15.11	15.22	15.33	15.44	15.56	15.67	15.78	15.89
12'	16.00	16.11	16.22	16.33	16.44	16.56	16.67	16.78	16.89	17.00	17.11	17.22
13'	17.33	17.44	17.56	17.67	17.78	17.89	18.00	18.11	18.22	18.33	18.44	18.56
14'	18.67	18.78	18.89	19.00	19.11	19.22	19.33	19.44	19.56	19.67	19.78	19.89
15'	20.00	20.11	20.22	20.33	20.44	20.56	20.67	20.78	20.89	21.00	21.11	21.22
16'	21.33	21.44	21.56	21.67	21.78	21.89	22.00	22.11	22.22	22.33	22.44	22.56
17'	22.67	22.78	22.89	23.00	23.11	23.22	23.33	23.44	23.56	23.67	23.78	23.89
18'	24.00	24.11	24.22	24.33	24.44	24.56	24.67	24.78	24.89	25.00	25.11	25.22
19'	25.33	25.44	25.56	25.67	25.78	25.89	26.00	26.11	26.22	26.33	26.44	26.56
20'	26.67	26.78	26.89	27.00	27.11	27.22	27.33	27.44	27.56	27.67	27.78	27.89
21'	28.00	28.11	28.22	28.33	28.44	28.56	28.67	28.78	28.89	29.00	29.11	29.22
22'	29.33	29.44	29.56	29.67	29.78	29.89	30.00	30.11	30.22	30.33	30.44	30.56
23'	30.67	30.78	30.89	31.00	31.11	31.22	31.33	31.44	31.56	31.67	31.78	31.89
24'	32.00	32.11	32.22	32.33	32.44	32.56	32.67	32.78	32.89	33.00	33.11	33.22
25'	33.33	33.44	33.56	33.67	33.78	33.89	34.00	34.11	34.22	34.33	34.44	34.56
26'	34.67	34.78	34.89	35.00	35.11	35.22	35.33	35.44	35.56	35.67	35.78	35.89
27'	36.00	36.11	36.22	36.33	36.44	36.56	36.67	36.78	36.89	37.00	37.11	37.22
28'	37.33	37.44	37.56	37.67	37.78	37.89	38.00	38.11	38.22	38.33	38.44	38.56
29'	38.67	38.78	38.89	39.00	39.11	39.22	39.33	39.44	39.56	39.67	39.78	39.89
30'	40.00	40.11	40.22	40.33	40.44	40.56	40.67	40.78	40.89	41.00	41.11	41.22
31'	41.33	41.44	41.56	41.67	41.78	41.89	42.00	42.11	42.22	42.33	42.44	42.56
32'	42.67	42.78	42.89	43.00	43.11	43.22	43.33	43.44	43.56	43.67	43.78	43.89
33'	44.00	44.11	44.22	44.33	44.44	44.56	44.67	44.78	44.89	45.00	45.11	45.22
34'	45.33	45.44	45.56	45.67	45.78	45.89	46.00	46.11	46.22	46.33	46.44	46.56
35'	46.67	46.78	46.89	47.00	47.11	47.22	47.33	47.44	47.56	47.67	47.78	47.89
36'	48.00	48.11	48.22	48.33	48.44	48.56	48.67	48.78	48.89	49.00	49.11	49.22
37'	49.33	49.44	49.56	49.67	49.78	49.89	50.00	50.11	50.22	50.33	50.44	50.56
38'	50.67	50.78	50.89	51.00	51.11	51.22	51.33	51.44	51.56	51.67	51.78	51.89
39'	52.00	52.11	52.22	52.33	52.44	52.56	52.67	52.78	52.89	53.00	53.11	53.22
40'	53.33	53.44	53.56	53.67	53.78	53.89	54.00	54.11	54.22	54.33	54.44	54.56

PANEL PROFILE SELECTIONS

VS-216



PRICE PER SQUARE								
FINISH	BASE METAL	GAUGE	WEIGHT PER SQUARE	QUANTITY IN SQUARES				
						0 – 50	>50 – 100	100+
Clear Acrylic	GALVALUME®	24	120			\$341.00	\$327.00	\$320.00
* KYNAR 500® Colors	GALVALUME®	24	120			\$401.00	\$385.00	\$377.00

* See Color Chart for available colors
KYNAR 500 is a registered trademark of ELF Atochem.

Clear Acrylic Coated GALVALUME® coating is subject to variances in spangle from coil to coil which may result in noticeable shade variation in installed panels. Clear Acrylic Coated GALVALUME® coating is also subject to differential weathering after panel installation. Panels may appear to be different shades due to this weathering characteristic. If a consistent appearance is required, SBS recommends that pre-painted panels be used in lieu of Clear Acrylic Coated GALVALUME®. Shade variation in panels manufactured from Clear Acrylic Coated GALVALUME® coated material do not diminish the structural integrity of the product. These shade variations should be anticipated and are not a cause for rejection.

PANEL PRICING:

1. All panel pricing is based on net coverage.
2. For short lengths add \$4.00 per panel for panels 3' – 2'-9" or 2.50 per panel for panels 2'-10" – 5'-11" (Panels less than 6'-0" cannot be pre-punched and notched).
3. VS-216 requires the SBS Seaming Tool to complete installation.
4. VS-216 panel is manufactured in Hockley, TX only.

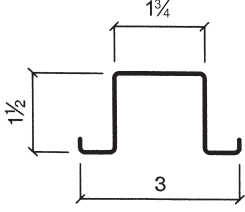
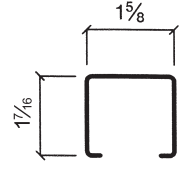
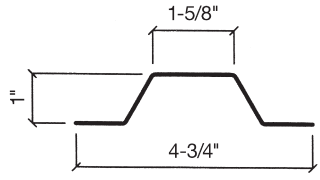
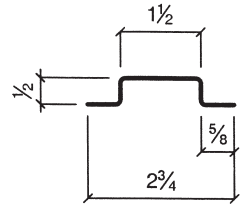
PACKAGING COST:

1. Maximum 18 sheets per bundle.
2. Standard packaging: Block and Band — 8'-0" O.C. with strippable film on the male and female rib
3. Export or LTD packaging Please inquire

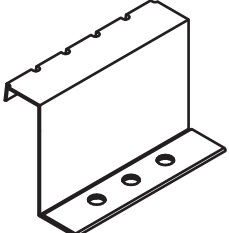
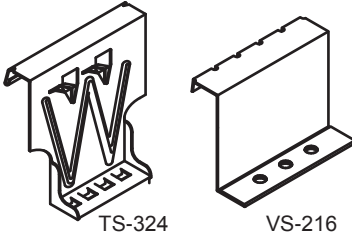
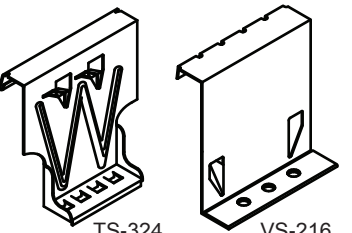
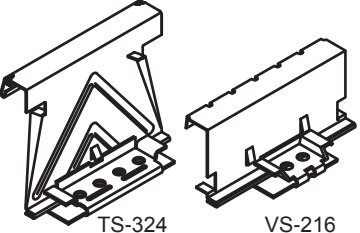
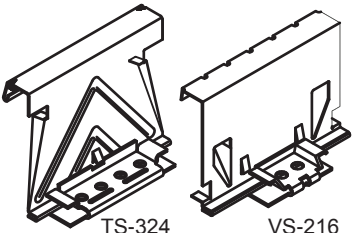
NOTES:

1. Delivery
24 gauge-GALVALUME® and Stocked Colors..... 7 to 10 working days
24 gauge-Standard Colors..... 2 to 3 weeks
2. All panels are factory notched and pre-punched both ends.
3. All panels have factory applied sealant.
4. Panels over 50'-0" or under 6'-0" Please inquire.
5. Yield strength is 50,000 PSI on 24 gauge panels.
6. Oil-Canning is not a cause for rejection.

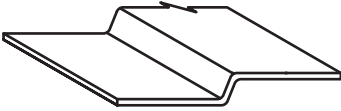
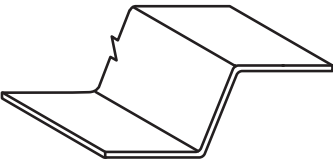
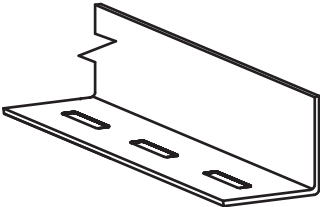
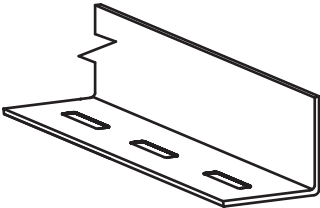
ACCESSORIES

	PART NO.	LENGTH	GAUGE	FINISH	WT./EA.	PRICE PER EACH
HAT SECTION 						
	HS-106	20'-0"	16	Red-Oxide	25.00#	\$100.75
	HS-106	20'-0"	16	Galvanized	26.90#	\$114.50
CHANNEL SECTION 	PART NO.	LENGTH	GAUGE	FINISH	WT./EA.	PRICE PER EACH
	CS-101	20'-0"	18	Galvanized	15.60#	\$78.75
1" SUB-GIRT 	PART NO.	LENGTH	GAUGE	FINISH	WT./EA.	PRICE PER EACH
	SG-101	20'-0"	18	Galvanized	18.60#	\$83.50
1/2" SUB-GIRT 	PART NO.	LENGTH	GAUGE	FINISH	WT./EA.	PRICE PER EACH
	SG-102	20'-0"	18	Galvanized	12.32#	\$56.75

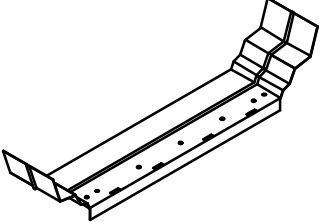
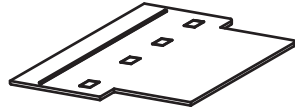
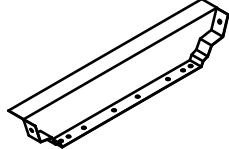
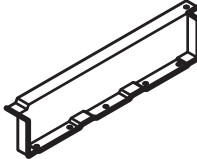
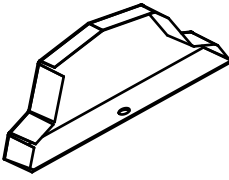
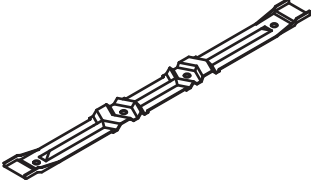
ACCESSORIES

	PART NO.	SSR SYSTEM	HEIGHT	WT./EA.	PRICE PER EACH
<p>UTILITY CLIP</p> 	FC-10200	VS-216	2"	.12#	\$2.15
	<p>LOW FIXED CLIP (FOR 3/8" STAND-OFF)</p>  <p>TS-324 VS-216</p>	FC-462	TS-324	3 3/8"	.20#
FC-10203		VS-216	2 3/8"	.13#	\$2.10
<p>HIGH FIXED CLIP (FOR 1 3/8" STAND-OFF)</p>  <p>TS-324 VS-216</p>		FC-463	TS-324	4 3/8"	.25#
	FC-10213	VS-216	3 3/8"	.18#	\$2.77
	<p>LOW FLOATING CLIP (FOR 3/8" STAND-OFF)</p>  <p>TS-324 VS-216</p>	MPS-602S	TS-324	3 3/8"	.40#
MC-1203		VS-216	2 3/8"	.23#	\$3.73
<p>HIGH FLOATING CLIP (FOR 1 3/8" STAND-OFF)</p>  <p>TS-324 VS-216</p>		MPS-603S	TS-324	4 3/8"	.44#
	MC-1213	VS-216	3 3/8"	.25#	\$3.89

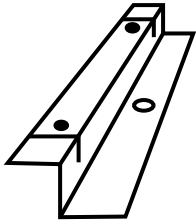
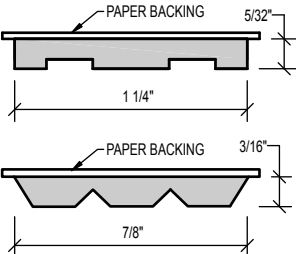
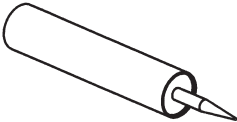
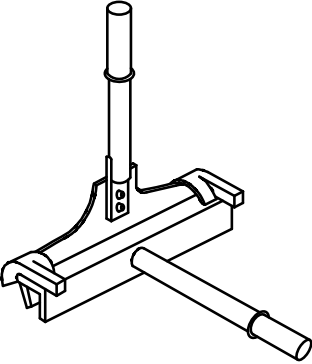

ACCESSORIES

<p>EAVE PLATE (FOR 3/8" STAND-OFF)</p> 	PART NO.	SSR SYS.	GAUGE	LENGTH	FINISH	WT./EA.	PRICE PER EACH	
	EP-038	TS-324	16	10'-0"	Galvanized	8.50#	\$68.85	
Used with TS-324 and VS-216								
<p>EAVE PLATE (FOR 1 3/8" STAND-OFF)</p> 	PART NO.	SSR SYS.	GAUGE	LENGTH	FINISH	WT./EA.	PRICE PER EACH	
	EP-138	TS-324	16	10'-0"	Galvanized	8.50#	\$68.85	
Used with TS-324 and VS-216								
<p>RAKE SUPPORT ANGLE (FOR 3/8" STAND-OFF)</p> 	PART NO.	SSR SYS.	SIZE	GAUGE	LENGTH	FINISH	WT./EA.	PRICE PER EACH
	RSA-338	TS-324	3 3/8X2 1/2	14	20'-0"	R/O	28.71#	\$129.60
	RSA-238	VS-216	2 3/8X3 1/2	14	20'-0"	R/O	28.71#	\$129.60
	Use with Low Clips							
<p>RAKE SUPPORT ANGLE (FOR 1 3/8" STAND-OFF)</p> 	PART NO.	SSR SYS.	SIZE	GAUGE	LENGTH	FINISH	WT./EA.	PRICE PER EACH
	RSA-438	TS-324	4 3/8X1 1/2	14	20'-0"	R/O	28.71#	\$129.60
	RSA-338	VS-216	3 3/8X2 1/2	14	20'-0"	R/O	28.71#	\$129.60
	Use with High Clips							

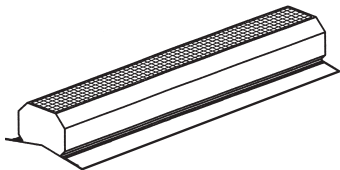

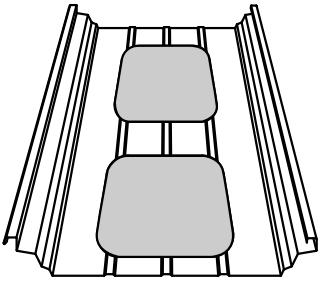
ACCESSORIES

ENDLAP BACK-UP PLATE (FOR 24" PANEL) 	PART NO. SSR SYSTEM WIDTH GAUGE FINISH WT./EA.	PRICE PER EACH
	BUP-324 TS-324 24" 16 Galvanized 2.41#	\$18.00
ENDLAP BACK-UP PLATE (FOR 16" PANEL) 	PART NO. SSR SYSTEM WIDTH GAUGE FINISH WT./EA.	PRICE PER EACH
	BUP-216 VS-216 15½" 16 R/O 1.90#	\$10.25
OUTSIDE CLOSURE (FOR 24" PANEL) 	PART NO. SSR SYSTEM WIDTH GAUGE FINISH WT./EA.	PRICE PER EACH
	OSC-324A TS-324 24" 24 Galvalume® 1.09#	\$12.00
	OSC-324B TS-324 24" 24 Painted 1.09#	\$14.50
OUTSIDE CLOSURE (FOR 16" PANEL) 	PART NO. SSR SYSTEM WIDTH GAUGE FINISH WT./EA.	PRICE PER EACH
	OSC-216A VS-216 16" 24 Galvalume® .41#	\$6.25
	OSC-216B VS-216 16" 24 Painted .41#	\$7.25
CORRUGATION CLOSURE 	PART NO. SSR SYSTEM WIDTH GAUGE FINISH WT./EA.	PRICE PER EACH
	ISC-324 TS-324 1⅝" 22 Galvalume® .24#	\$4.95
ENDLAP CINCH STRAP (FOR 24" PANEL) 	PART NO. SSR SYSTEM WIDTH GAUGE FINISH WT./EA.	PRICE PER EACH
	CS-324A TS324 20¼" 18 Stainless .30#	\$16.25
	CS-324B TS324 20¼" 18 Painted .30#	\$32.50

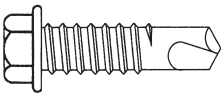
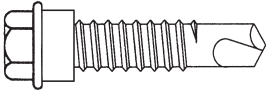
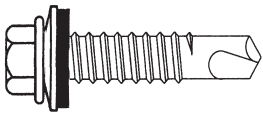
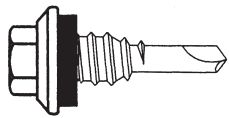
ACCESSORIES

GUTTER STRAP	PART NO. SSR SYSTEM GAUGE LENGTH WT./EA.						PRICE PER EACH		
							GALVALUME®	COLOR	
	GC-1	TS-324 / VS-216	18	0'-10"	.30#		\$5.75	\$14.00	
TAPE SEALER	PART NO. TYPE SIZE THICKNESS LENGTH CARTON ROLL							PRICE PER EACH	
	QTY. WT./EA.								
	RS1	Butyl	5/32" x 1 1/4"	5/32"	30'-0"	16	3.75#	\$37.40	
	RS2	Butyl	3/16" x 7/8"	3/16"	25'-0"	8	2.23#	\$15.15	
TUBE CAULKING	TYPE COLOR TUBE SIZE CARTON QTY. WT./EA.					PRICE PER EACH			
 <p style="text-align: center;">10.3 oz. cartridge</p>	Polyurethane	White	10.3 oz	30	1.2#	\$8.75			
	Polyurethane	Gray	10.3 oz	30	1.2#	\$8.75			
	Polyurethane	Bronze	10.3 oz	30	1.2#	\$8.75			
	Polyurethane	Almond	10.3 oz	30	1.2#	\$8.75			
	Silicone	Clear	10.3 oz	30	1.2#	\$11.25			
HAND SEAMER	PART NO. DESCRIPTION				WT./EA.		PRICE PER EACH		
	HST-S				Hand Seamer – Short		10#	\$525.00	
	HST-T				Hand Seamer – Tall		22#	\$925.00	
TOUCH-UP PAINT	DESCRIPTION						PRICE PER EACH		
 <p style="text-align: center;">2 oz.</p>	Valspar Matching Color, Panel Touch Up Paint 2 oz. Bottle								
	Silicone Polyester						\$18.75		
	Kynar						\$32.75		

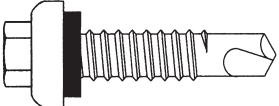
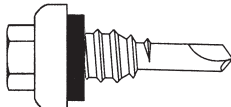
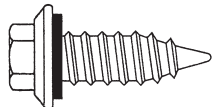
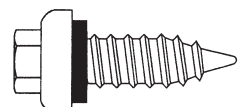
ACCESSORIES

CONTINUOUS THROAT GRAVITY RIDGE VENTILATORS	DESCRIPTION	WT./EA.	PRICE PER EACH			
	9" Throat x 10' Long, 26 GA, w/ damper	207.0#	GALVALUME® \$750.00	WHITE \$800.00		
	12" Throat x 10' Long, 26 GA, w/ damper SPECIAL ORDER ONLY -5 to 7 working days	223.0#	\$810.00	\$890.00		
	<p>All ventilators have bird screen and damper.</p> <p>Pricing shown is for ventilators with flat skirts only. Included with each ventilator are splice plates, end skirts, and special tape sealant.</p> <p>All ventilators will conform to roof slopes up to 6:12.</p> <p>For standard color ventilators other than Polar White, please inquire.</p> <p>For hardware required for adjustable ventilators, see below.</p> <p>For chain operated ventilators, please inquire</p>					
VENTILATOR HARDWARE	DESCRIPTION	WT./EA.	PRICE PER EACH			
	Galvanized 3/16" Vent Cable		\$.42 ft			
	Vent Pulley		\$8.75			
	1/4" x 2" Eye Bolt w/ Nuts		\$.45			
	Cable Clamps		\$.60			
	Operator Handle		\$64.00			
LIGHT TRANSMITTING PANEL	TYPE	WIDTH	LENGTH	COLOR	WT.	PRICE PER EACH
	Uninsulated	24"	10'-2"	GALVALUME®	32#	Please inquire
	Uninsulated	24"	10'-2"	White	32#	Please inquire
	Uninsulated	24"	10'-2"	Other colors	32#	Please inquire
	<p>Note: Use with RollLok, TripleLok and QuadLok roof systems.</p> <p>Light Transmitting Panels other than White or GALVALUME® require 5 weeks manufacturing time.</p>					
	Insulated	24"	10'-2"	GALVALUME®	38#	Please inquire
	Insulated	24"	10'-2"	White	38#	Please inquire
Insulated	24"	10'-2"	Other colors	38#	Please inquire	
<p>Note: Use with RollLok, TripleLok and QuadLok roof systems.</p> <p>Light Transmitting Panels other than White or Galvalume® require 5 weeks manufacturing time.</p>						

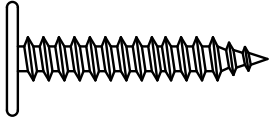
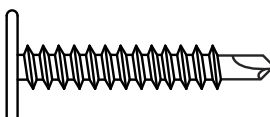
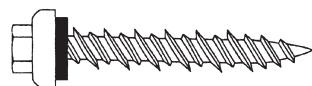
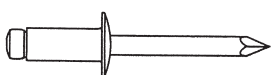
ACCESSORIES

SELF-DRILLING CARBON STEEL FASTENERS	SIZE	LENGTH	TYPE	HEAD AF	WT./M	PRICE PER 1000		
						PLAIN	PAINTED	
 No Sealing Washer	#14	1"	Driller	5/16"	17.2#	\$120.00	N/A	
	Fasteners sold in quantities of 250 only							
SELF-DRILLING CARBON STEEL SHOULDER FASTENERS	SIZE	LENGTH	TYPE	HEAD AF	WT./M	PRICE PER 1000		
							PLAIN	PAINTED
 No Sealing Washer	#14	1 1/4"	Driller	5/16"	17.5#	\$181.00	N/A	
	Fasteners sold in quantities of 250 only							
SELF-DRILLING CARBON STEEL FASTENERS	SIZE	LENGTH	TYPE	HEAD AF	WT./M	PRICE PER 1000		
							PLAIN	PAINTED
 With Bonded Washer	#14	1 1/4"	Driller	5/16"	20.3#	\$177.00	\$193.00	
	Fasteners sold in quantities of 250 only							
SELF-DRILLING CARBON STEEL FASTENERS	SIZE	LENGTH	TYPE	HEAD AF	WT./M	PRICE PER 1000		
							PLAIN	PAINTED
 For attaching sheet to sheet	#14	7/8"	Laptek	5/16"	12.6#	\$96.00	\$113.00	
	Fasteners sold in quantities of 250 only							

ACCESSORIES

LONG-LIFE SELF-DRILLING FASTENERS	SIZE	LENGTH	TYPE	HEAD AF	WT./M	PRICE PER 1000	
						PLAIN	PAINTED
		#14	1¼"	Driller	5/16"	19.2#	\$271.25
For attaching sheet to Ceess & Zees	Fasteners sold in quantities of 250 only						
LONG-LIFE SELF-DRILLING FASTENERS	SIZE	LENGTH	TYPE	HEAD AF	WT./M	PRICE PER 1000	
						PLAIN	PAINTED
		#14	7/8"	Laptek	5/16"	17.2#	\$187.75
For attaching sheet to sheet	Fasteners sold in quantities of 250 only						
SELF-TAPPING CARBON STEEL FASTENERS	SIZE	LENGTH	TYPE	HEAD AF	WT./M	PRICE PER 1000	
						PLAIN	PAINTED
		#17	1"	AB	5/16"	16.0#	\$330.00
Holes must be pre-drilled through all metal when using this type of fastener	Fasteners sold in quantities of 250 only						
LONG-LIFE SELF-TAPPING FASTENERS	SIZE	LENGTH	TYPE	HEAD AF	WT./M	PRICE PER 1000	
						PLAIN	PAINTED
		#17	1"	AB	5/16"	18.0#	\$274.50
Holes must be pre-drilled through all metal when using this type of fastener	Fasteners sold in quantities of 250 only						

ACCESSORIES

PHILLIPS HEAD CARBON STEEL PAN HEAD FASTENERS 	SIZE	LENGTH	TYPE	HEAD AF	WT./M	PRICE PER 1000	
						PLAIN	PAINTED
	#10	1"	A/B	Phillips	7.1#	\$57.00	N/A
Fasteners sold in quantities of 250 only							
PHILLIPS HEAD CARBON STEEL PAN HEAD FASTENERS 	SIZE	LENGTH	TYPE	HEAD AF	WT./M	PRICE PER 1000	
						PLAIN	PAINTED
	#10	1"	Driller	Phillips	7.0#	\$81.00	N/A
Fasteners sold in quantities of 250 only							
LONG-LIFE METAL TO WOOD FASTENERS 	SIZE	LENGTH	TYPE	HEAD AF	WT./M	PRICE PER 1000	
						PLAIN	PAINTED
	#10	1"	WOODGRIP	$\frac{5}{16}$ "	9.5#	\$217.50	\$234.50
	#10	1½"	WOODGRIP	$\frac{5}{16}$ "	11.5#	\$299.50	\$316.50
#10	2"	WOODGRIP	$\frac{5}{16}$ "	14.0#	\$329.25	\$346.25	
Fasteners sold in quantities of 250 only							
STAINLESS STEEL POP RIVETS 	SIZE	GRIP RANGE			WT./M	PRICE PER 1000	
						PLAIN	PAINTED
	1/8" diameter	.126" - .187"			2.8#	\$115.50	\$141.50
Fasteners sold in quantities of 250 only							
Body and mandrel are stainless steel							



HOUSTON PLANT
 17600 Badtke Road
 P.O. Box 609
 Hockley, TX 77447-0609
 1.866.749.2667 Toll Free
 281.213.6100 Tel.
 281.213.6101 Fax

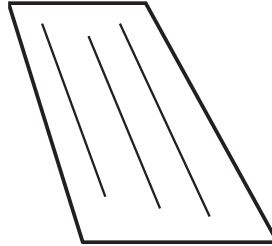
BIRMINGHAM PLANT
 3387 Davey Allison Blvd.
 P.O. Box 3160
 Hueytown, AL 35023
 1.877.887.4247 Toll Free
 205.744.1561 Tel.
 205.744.1562 Fax

TRIM COLOR SELECTION CHART

	26 Ga.	24 Ga.	22 Ga.
CLEAR ACRYLIC COATED GALVALUME®	•	•	•
PREMIUM POLYESTER – PPOL			
Polar White	•	•	
SILICONE POLYESTER – SMP			
Light Stone	•		
Ash Gray	•		
Desert Sand	•		
Charcoal Gray	•		
Burnished Slate	•		
Saddle Tan	•		
Hawaii Blue	•		
Rustic Red	•		
Fern Green	•		
Burgundy	•		
Koko Brown	•		
Colony Green	•		
Crimson Red	•		
Aztec Gold	•		
Evergreen	•		
Coal Black	•		
Solar White	•		
KYNAR 500®			
Gallery Blue	•	•	
Regal Red	•	•	
Medium Bronze		•	
Snow White		•	
Slate Gray		•	
Almond		•	
Classic Green		•	
Brownstone		•	
Colonial Red		•	
Bone White		•	
Midnight Bronze		•	

FLAT SHEET PRICING

FLAT SHEETS



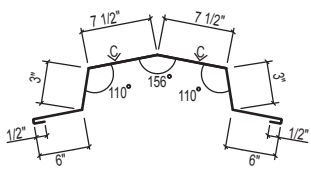
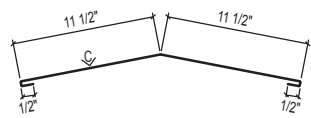
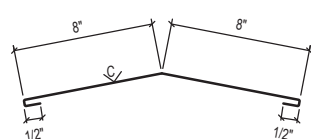
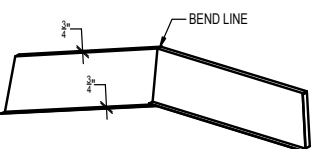
Finish	Gauge	Width	WT./FT.	PRICE PER FOOT
Clear Acrylic Coated GALVALUME®	26	41 9/16"	2.94#	\$5.25
SMP Standard Colors	26	41 9/16"	2.94#	\$7.90
PPOL Polar White	26	41 9/16"	2.94#	\$7.90
Kynar 500® Colors	26	41 9/16"	2.94#	\$8.18
PPOL Polar White	24	42 3/4"	3.86#	\$9.03
Kynar 500® Colors	24	42 3/4"	3.86#	\$10.13
Clear Acrylic Coated GALVALUME®	24	42 3/4"	3.86#	\$7.10
Clear Acrylic Coated GALVALUME®	22	42 3/4"	4.27#	\$11.50

NOTES:

1. Add \$35.00 for flat sheet wood skid/Maximum 100 flat sheets or 3000# per skid. Maximum 14' length.
2. Add \$50.00 for LTL crating/Maximum 100 flat sheets or 3000# per skid.
3. Strippable film is applied to all colored flat sheets.
4. Flat sheet lengths other than 10'-2" are available upon request. Minimum length 5', maximum length 14'-0". Flat sheet lengths over 14'-0" require special skid. Please inquire.
5. All flat sheets conform to ASTM A792, Grade 50 (Yield Strength 50,000 PSI).

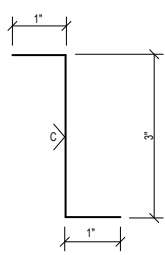
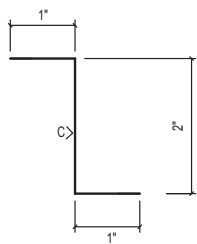
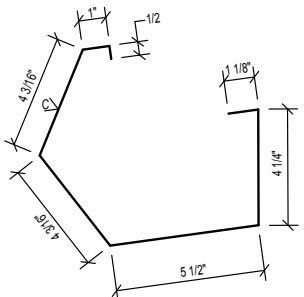
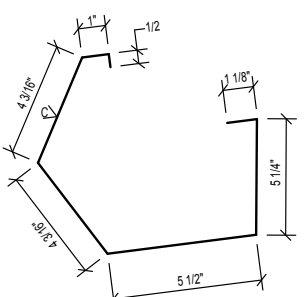
TRIM

All trim is 26ga, unless noted.

ITEM	DESCRIPTION			PRICE PER FOOT		
	PART NUMBER	LENGTH	WT./EA.	GALVALUME® 24 Gauge	SMP 24 Gauge	KYNAR 24 Gauge
RIDGE FLASHING  Specify roof slope						
	FL-200	10'-2"	29.75#	\$10.60	\$12.30	\$13.35
	Used with TS-324 or VS-216					
RIDGE/HIP FLASHING  Specify roof slope						
	FL-56	10'-2"	17.40#	\$5.75	\$7.45	\$9.20
	Used with TS-324 or VS-216					
RIDGE/HIP FLASHING  Specify roof slope						
	FL-303	10'-2"	12.35#	\$4.35	\$5.55	\$6.76
	Used with TS324 or VS216					
FL-200 RIDGE END CAP  Specify roof slope						
	FL-201		1.60#	\$8.10 EA	\$8.45 EA	\$8.80 EA

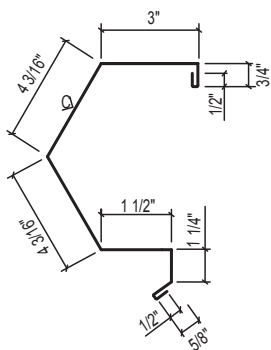
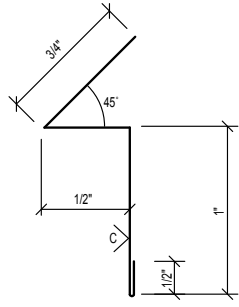
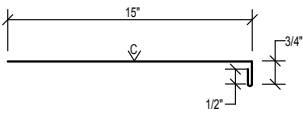
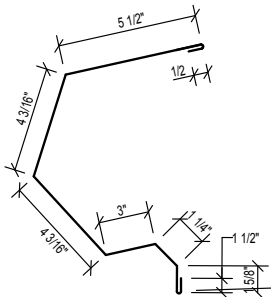
TRIM

All trim is 26ga, unless noted.

ITEM	DESCRIPTION			PRICE PER FOOT		
	PART NUMBER	LENGTH	WT./FT.	GALVALUME® 24 Gauge	SMP 24 Gauge	KYNAR 24 Gauge
Z CLOSURE 	FL-202	10'-2"	4.11#	\$1.68	\$1.93	\$2.09
	Used with TS-324 only					
Z CLOSURE 	FL-230	10'-2"	3.29#	\$1.42	\$1.62	\$1.74
	Used with VS-216 only					
SCULPTURED HANG-ON GUTTER 	FL-204		1.45#	\$5.29	\$6.74	\$8.23
	Used with TS-324 only Add \$6.50 per mitered piece Specify left or right					
GUTTER END CAP Specify roof slope	FL-205 (Specify left or right)		.22# EA	\$11.50 EA	\$13.50 EA	\$15.50 EA
SCULPTURED HANG-ON GUTTER 	FL-155		1.53#	\$5.49	\$7.01	\$8.58
	Used with VS-216 only Add \$6.50 per mitered piece Specify left or right					
GUTTER END CAP Specify roof slope	FL-156 (Specify left or right)		.22# EA	\$11.50 EA	\$13.50 EA	\$15.50 EA

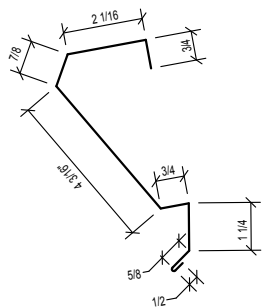
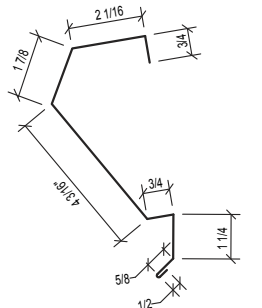
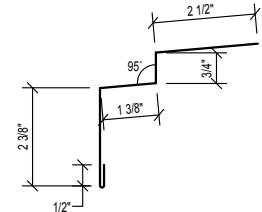
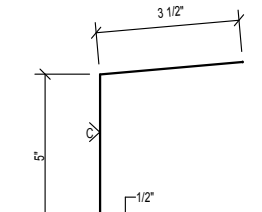
TRIM

All trim is 26ga, unless noted.

ITEM	DESCRIPTION		PRICE PER FOOT			
	PART NUMBER	WT./FT.	GALVALUME®	SMP	KYNAR	
SCULPTURED RAKE TRIM 	FL-206	1.17#	\$5.14	\$6.29	\$7.48	
	Used with TS-324 or VS-216 Add \$6.50 per mitered piece Specify left or right					
RAKE SLIDE TRIM 	FL-207	10'-2"	2.15#	\$1.27	\$1.47	\$1.67
	Used with TS-324 or VS-216 Floating Systems					
VARIABLE TERMINATION TRIM 	FL-208	10"-2"	11.74#	\$3.84	\$4.97	\$6.15
	Used with TS-324					
SCULPTURED HIGH SIDE EAVE TRIM 	FL-209	1.40#	\$5.62	\$7.00	\$8.42	
	Used with TS-324 or VS-216 Add \$6.50 per mitered piece Specify left or right					
EAVE END CAP Specify roof slope	FL-210 (Specify left or right)	.22# EA	\$11.50 EA	\$13.50 EA	\$15.50 EA	

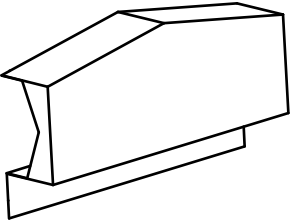
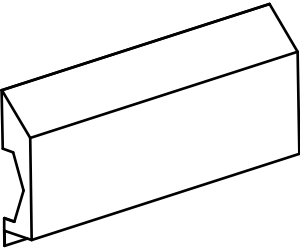
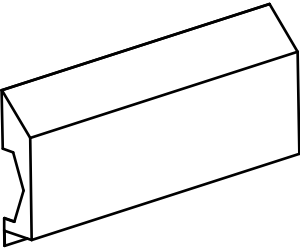
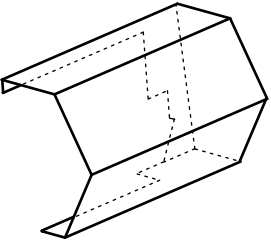
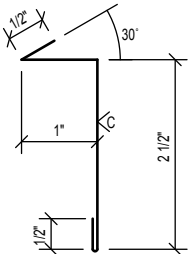
TRIM

All trim is 26ga, unless noted.

ITEM	DESCRIPTION		PRICE PER FOOT		
	PART NUMBER	WT./FT.	GALVALUME®	SMP	KYNAR
SCULPTURED LOW SIDE EAVE TRIM 	FL-211	.78#	\$3.66	\$4.43	\$5.22
	Used with TS-324				
EAVE END CAP Specify roof slope	FL-212 (Specify left or right)	.22# EA	\$11.50 EA	\$13.50 EA	\$15.50 EA
SCULPTURED LOW SIDE EAVE TRIM 	FL-190	.85#	\$3.87	\$4.70	\$5.57
	Used with VS-216 only				
EAVE END CAP Specify roof slope	FL-191 (Specify left or right)	.22# EA	\$11.50 EA	\$13.50 EA	\$15.50 EA
OFFSET PANEL CAP TRIM 	FL-213	.53#	\$2.42	\$2.94	\$3.48
	Used with PBR or A wall panels				
Specify roof slope					
FLAT EAVE TRIM 	FL-214	.50#	\$2.36	\$3.00	\$2.55
	Used with TS-324 or VS-216				
Specify roof slope					

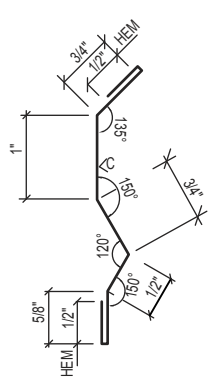
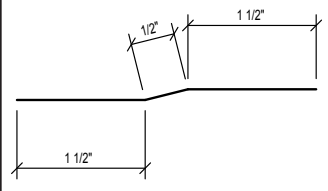
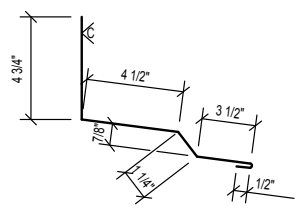
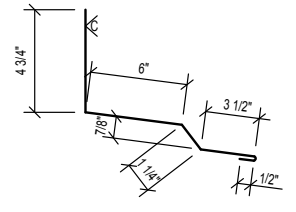
TRIM

All trim is 26ga, unless noted.

ITEM	DESCRIPTION		PRICE PER FOOT		
	PART NUMBER	WT./EA.	GALVALUME®	SMP	KYNAR
FIXED PEAK BOX  Specify roof slope	FL-203	3.14#	\$35.00 EA	\$35.50 EA	\$40.25 EA
	 Specify roof slope				
FLOATING PEAK BOX  Specify roof slope	FL-216	6.10#	\$100.00 EA	\$104.75 EA	\$106.50 EA
	SCULPTURED LOW EAVE CORNER BOX 				
COUNTER FLASH 	FL-217	1.80#	\$32.50 EA	\$33.50 EA	\$39.00 EA
	FL-218	.32#	\$1.91	\$2.13	\$2.27

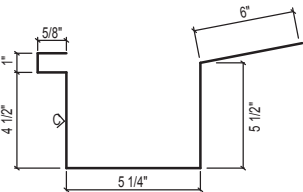
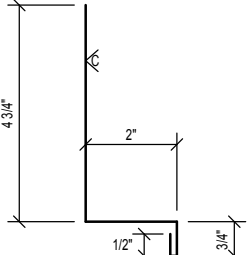
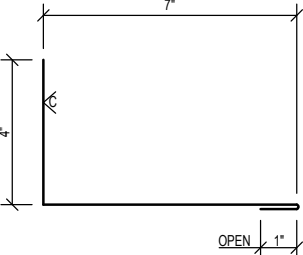
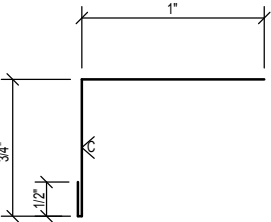
TRIM

All trim is 26ga, unless noted.

ITEM	DESCRIPTION			PRICE PER FOOT		
	PART NUMBER		WT./FT	GALVALUME® 24 Gauge	SMP 24 Gauge	KYNAR 24 Gauge
ALTERNATE COUNTERFLASH 	FL-219		.39#	\$2.62	\$2.85	\$2.99
						
OFFSET CLEAT	PART NUMBER	LENGTH	WT./EA.	GALVALUME® 24 Gauge	SMP 24 Gauge	KYNAR 24 Gauge
	FL-220	10'-2"	3.06#	\$1.29	N/A	N/A
HIGH SIDE PARAPET TRIM  <p>Specify roof slope</p>	PART NUMBER		WT./FT.	GALVALUME®	SMP	KYNAR
	FL-221		1.03#	\$3.84	\$4.85	\$5.90
	For roof slopes up to 5:12					
HIGH SIDE PARAPET TRIM  <p>Specify roof slope</p>	PART NUMBER		WT./FT.	GALVALUME®	SMP	KYNAR
	FL-222		1.14#	\$4.14	\$5.26	\$6.42
	For roof slopes greater than 5:12					

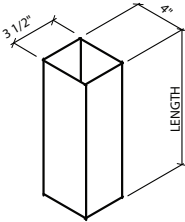
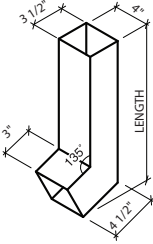
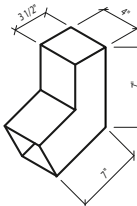
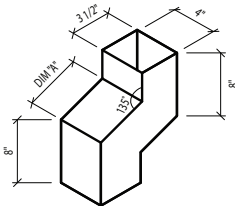
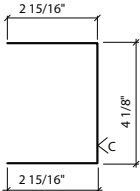
TRIM

All trim is 26ga, unless noted.

ITEM	DESCRIPTION			PRICE PER FOOT		
	PART NUMBER		WT./FT.	GALVALUME®	SMP	KYNAR
BOX GUTTER  Specify roof slope	FL-304		1.65#	\$5.84	\$7.48	\$9.18
	Used with VS-216					
GUTTER END CAP	FL-305 (Specify left or right)		.22# EA	\$11.50 EA	\$13.50 EA	\$15.50 EA
PARAPET RAKE (FIXED) 	FL-223	10'-2"	5.69#	\$2.34	\$2.90	\$3.48
PARAPET RAKE FLASH 	FL-224	10'-2"	8.54#	\$2.97	\$3.81	\$4.68
PARAPET RAKE CLEAT 	FL-225	10'-2"	1.60#	\$1.00	\$1.15	\$1.31

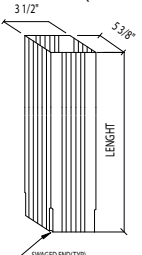
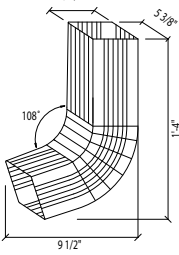
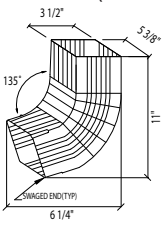
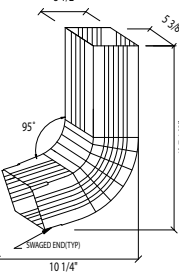
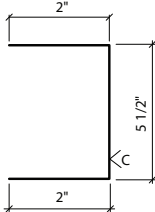
TRIM

All trim is 26ga, unless noted.

ITEM	DESCRIPTION			PRICE PER FOOT, unless noted		
	PART NUMBER		WT./FT.	Acrylic Coated GALVALUME®	SMP Colors	Kynar 500® Colors
DOWNSPOUT (STRAIGHT) 						
	FL-40		1.15#	\$6.28	\$8.21	\$11.58
DOWNSPOUT (W/45° ELBOW) 						
	FL-41		1.15#	\$6.91	\$8.49	\$10.11
DOWNSPOUT ELBOW 	PART NUMBER	LENGTH	WT./EA.	Acrylic Coated GALVALUME®	SMP Colors	Kynar 500® Colors
	FL-42 (45°)	7"	1.40#	\$24.00 EA.	\$26.25 EA.	\$28.25 EA.
	FL-43 (90°)	7"	1.40#	\$24.00 EA.	\$26.25 EA.	\$28.25 EA.
DOWNSPOUT OFFSET 	PART NUMBER	DIM. A	WT./FT.	Acrylic Coated GALVALUME®	SMP Colors	Kynar 500® Colors
	FL-44A	6" - 5'-0"	1.15#	\$52.50 EA.	\$58.25 EA.	\$69.25 EA.
	FL-44B	5'-1" - 10'-0"	1.15#	\$73.75 EA.	\$83.75 EA.	\$94.81 EA.
DOWNSPOUT STRAP 	PART NUMBER	LENGTH	WT./EA.	Acrylic Coated GALVALUME®	SMP Colors	Kynar 500® Colors
	FL-45	1"	0.08#	\$5.25 EA.	\$6.00 EA.	\$6.25 EA.

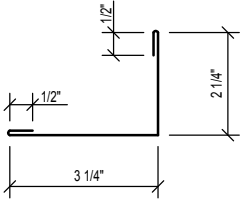
TRIM

All trim is 26ga, unless noted.

ITEM	DESCRIPTION		PRICE PER FOOT		
			GALVALUME®	SMP	KYNAR
ROLL FORMED DOWNSPOUT (STRAIGHT) 	PART NUMBER	WT./FT.			
	FL-100	1.23#	\$3.58	\$4.79	\$6.72
Available in 26 Gauge only					
ROLL FORMED DOWNSPOUT (72° KICKOUT) 	PART NUMBER	WT./EA.	GALVALUME®	SMP	KYNAR
	FL-101	2.29#	\$12.50 EA	\$17.25 EA	\$22.75 EA
Available in 26 Gauge only					
ROLL FORMED DOWNSPOUT (45° OFFSET) 	PART NUMBER	WT./EA.	GALVALUME®	SMP	KYNAR
	FL-102	1.25#	\$12.00 EA	\$16.75 EA	\$22.25 EA
Available in 26 Gauge only					
ROLL FORMED DOWNSPOUT (5° OFFSET) 	PART NUMBER	WT./EA.	GALVALUME®	SMP	KYNAR
	FL-103	2.86#	\$12.50 EA	\$17.25 EA	\$22.75 EA
Available in 26 Gauge only					
ROLL FORMED DOWNSPOUT STRAP 	PART NUMBER	WT./EA.	GALVALUME®	SMP	KYNAR
	FL-104	.08#	\$5.25 EA	\$6.00 EA	\$6.25 EA

TRIM

All trim is 26ga, unless noted.

ITEM	DESCRIPTION			PRICE PER FOOT		
	PART NUMBER	LENGTH	WT./EA	GALVALUME®	SMP	KYNAR
LIGHT TRANSMITTING PANEL TRIM 	FL-226	10'-2"	4.62#	\$2.21	\$2.67	\$3.14



HOUSTON PLANT
 17600 Badtke Road
 P.O. Box 609
 Hockley, TX 77447-0609
 1.866.749.2667 Toll Free
 281.213.6100 Tel.
 281.213.6101 Fax

BIRMINGHAM PLANT
 3387 Davey Allison Blvd.
 P.O. Box 3160
 Hueytown, AL 35023
 1.877.887.4247 Toll Free
 205.744.1561 Tel.
 205.744.1562 Fax

TRIM PRICING INFO / SPECIAL TRIM PRICING

TRIM PRICING:

1. 24 ga. & 22ga. GALVALUME, 24 ga. PPOL Polar White & 24 ga. Kynar 500 colors available at an additional cost. (See Page SSR-15 for available trim color selections.)
2. Prices do not include standard packaging.

PACKAGING COST:

1. Trim with girth greater than 15" 20 pieces/carton
2. Trim with girth less than 15" 50 pieces/carton
3. Downspouts..... 12/carton
4. Standard Packaging: 500# test cardboard with protective interleaf and metal bands \$22.50 (10') \$40.00 (21')
5. Paper wrap only (For customer pick-up only) \$5.00 (10') \$10.00 (21')
6. LTL Packaging: 500# test cardboard with protective interleaf, wood blocks and metal bands \$50.00 (10') \$75.00 (21')
7. Plywood crating \$20.00/linear foot
8. Special Packaging Please Inquire.

DELIVERY:

All SBS stocked trim colors and gauges (See Page SSR-15 for available trim color selections) Approximately 3 to 5 Working Days

SPECIAL TRIM PRICING

FORMULA FOR PRICING SPECIAL TRIM

Use the following formula to calculate the Price Per Foot of Trim:

Girth of Material x Price per Inch of Girth + Price per Number of Breaks

Price per Inch of Girth	- 26 Gauge (GALVALUME)	~ \$0.24
	- 26 Gauge (SMP COLOR)	~ \$0.32
	- 26 Gauge (KYNAR COLOR)	~ \$0.37 (See Page SSR-15 for Limited Color Selections)
	- 24 Gauge (GALVALUME)	~ \$0.27
	- 24 Gauge (SMP COLOR)	~ \$0.36
	- 24 Gauge (KYNAR COLOR)	~ \$0.43
	- 22 Gauge (GALVALUME)	~ \$0.42
Price per Break (Hem equals two breaks)		~ \$0.14

1. All trim to be 26 gauge material unless noted otherwise on customer drawing or sketch.
2. Customer drawing or sketch of special trim must be in our possession for order to be processed.
3. Specify the side with the finish color.
4. If more than one special trim is required, number each piece SF1, SF2, SF3, etc.
5. Tapered trim requirements: \$25.00 Set-Up charge per section - NO EXCEPTIONS. Drawings must be furnished by customer and be "shop ready".
6. 5'-0 minimum length will be charged.



HOUSTON PLANT
17600 Badtke Road
P.O. Box 609
Hockley, TX 77447-0609
1.866.749.2667 Toll Free
281.213.6100 Tel.
281.213.6101 Fax

BIRMINGHAM PLANT
3387 Davey Allison Blvd.
P.O. Box 3160
Hueytown, AL 35023
1.877.887.4247 Toll Free
205.744.1561 Tel.
205.744.1562 Fax

NOTES

Lined area for notes with horizontal ruling lines.